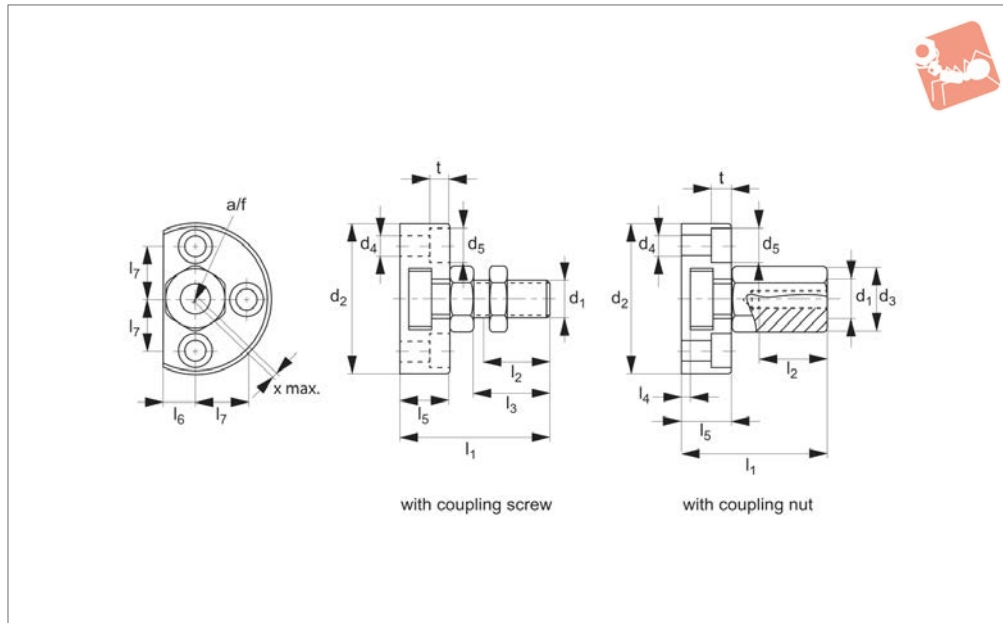
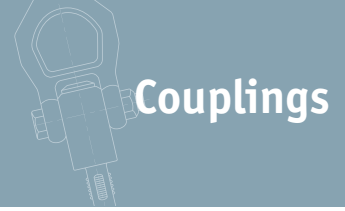


# Quick Plug Couplings

with radial offset compensation and screwed flange



**64600**

COUPLINGS

### Material

Body: steel, heat-treated, tempered, phosphated.

Lock nut: steel, blackened (ISO 4035/8675).

### Technical Notes

For quick coupling/uncoupling of components within a linear movement application, with the additional advantage

of compensating for radial off-set between the components. In built adjustment feature of the quick plug coupling means manual adjustment of the coupled units is unnecessary. Coupling via means of a t-slot channel within the coupling nut.

\*kN max is the maximum tensile and compression load.

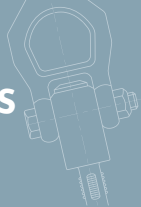
### Tips

Ideal quick coupler where space is limited. Can be linked to pneumatic and hydraulic lifting cylinders in many different applications.

**Important note: suitable for linear movement applications, does not transmit any torque.**

Order No.	Coupling Type	d <sub>1</sub>	d <sub>2</sub>	d <sub>3</sub>	d <sub>4</sub>	d <sub>5</sub>	Weight g
64600.W0206	Screw	M_6	42	-	5.5	10	75
64600.W0208	Screw	M_8	48	-	6.6	11	116
64600.W0210	Screw	M10	50	-	6.6	11	175
64600.W0212	Screw	M12	55	-	6.6	11	281
64600.W0216	Screw	M16	65	-	9.0	15	458
64600.W0220	Screw	M20	80	-	11.0	18	817
64600.W0230	Screw	M10x1,25	50	-	6.6	11	176
64600.W0232	Screw	M12x1,25	55	-	6.6	11	280
64600.W0236	Screw	M16x1,50	65	-	9.0	15	454
64600.W0240	Screw	M20x1,50	80	-	11.0	18	850
64600.W0256	Nut	M_6	42	11.0	5.5	10	77
64600.W0258	Nut	M_8	48	14.4	6.6	11	123
64600.W0260	Nut	M10	50	19.0	6.6	11	187
64600.W0262	Nut	M12	55	21.2	6.6	11	295
64600.W0266	Nut	M16	65	27.0	9.0	15	472
64600.W0270	Nut	M20	80	34.0	11.0	18	849
64600.W0280	Nut	M10x1,25	50	19.0	6.6	11	187
64600.W0282	Nut	M12x1,25	55	21.2	6.6	11	298
64600.W0286	Nut	M16x1,50	65	27.0	9.0	15	477
64600.W0290	Nut	M20x1,50	80	34.0	11.0	18	852

Order No.	l <sub>1</sub> ≈	l <sub>2</sub> min.	l <sub>3</sub>	l <sub>4</sub>	l <sub>5</sub>	l <sub>6</sub>	l <sub>7</sub>	A/F	t	Axial offset x max.	kN max.
64600.W0206	30.5	11.0	14	3.0	11.0	7.0	14.0	10	5.4	0.6	2.5
64600.W0208	35.5	13.5	17	3.0	13.0	8.0	16.0	13	6.4	0.7	4.5
64600.W0210	43.2	16.0	20	4.2	16.0	9.0	17.0	17	6.4	0.7	6.5



# Quick Plug Couplings

with radial offset compensation and screwed flange



Order No.	$l_1$ ≈	$l_2$ min.	$l_3$	$l_4$	$l_5$	$l_6$	$l_7$	A/F	t	Axial offset x max.	kN kN max.
64600.W0212	53.2	21.0	25	4.2	20.5	10.0	19.0	19	6.4	0.8	10.0
64600.W0216	64.0	25.0	30	5.0	23.0	12.5	22.5	24	8.5	1.0	18.0
64600.W0220	74.0	29.0	35	5.0	26.0	17.0	28.0	30	10.4	1.0	30.0
64600.W0230	43.2	16.0	20	4.2	16.0	9.0	17.0	17	6.4	0.7	6.5
64600.W0232	53.2	21.0	25	4.2	20.5	10.0	19.0	19	6.4	0.8	10.0
64600.W0236	64.0	25.0	30	5.0	23.0	12.5	22.5	24	8.5	1.0	18.0
64600.W0240	74.0	29.0	35	5.0	26.0	17.0	28.0	30	10.0	1.0	30.0
64600.W0256	30.5	11.0	-	3.0	11.0	7.0	14.0	10	5.4	0.6	2.5
64600.W0258	35.5	13.5	-	3.0	13.0	8.0	16.0	13	6.4	0.7	4.5
64600.W0260	43.2	15.0	-	4.2	16.0	9.0	17.0	17	6.4	0.7	6.5
64600.W0262	53.2	17.5	-	4.2	20.5	10.0	19.0	19	6.4	0.8	10.0
64600.W0266	64.0	22.0	-	5.0	23.0	12.5	22.5	24	8.5	1.0	18.0
64600.W0270	74.0	25.0	-	5.0	26.0	17.0	28.0	30	10.0	1.0	30.0
64600.W0280	43.2	15.0	-	4.2	16.0	9.0	17.0	17	6.4	0.7	6.5
64600.W0282	53.2	17.5	-	4.2	20.5	10.0	19.0	19	6.4	0.8	10.0
64600.W0286	64.0	22.0	-	5.0	23.0	12.5	22.5	24	8.5	1.0	18.0
64600.W0290	74.0	25.0	-	5.0	26.0	17.0	28.0	30	10.0	1.0	30.0

