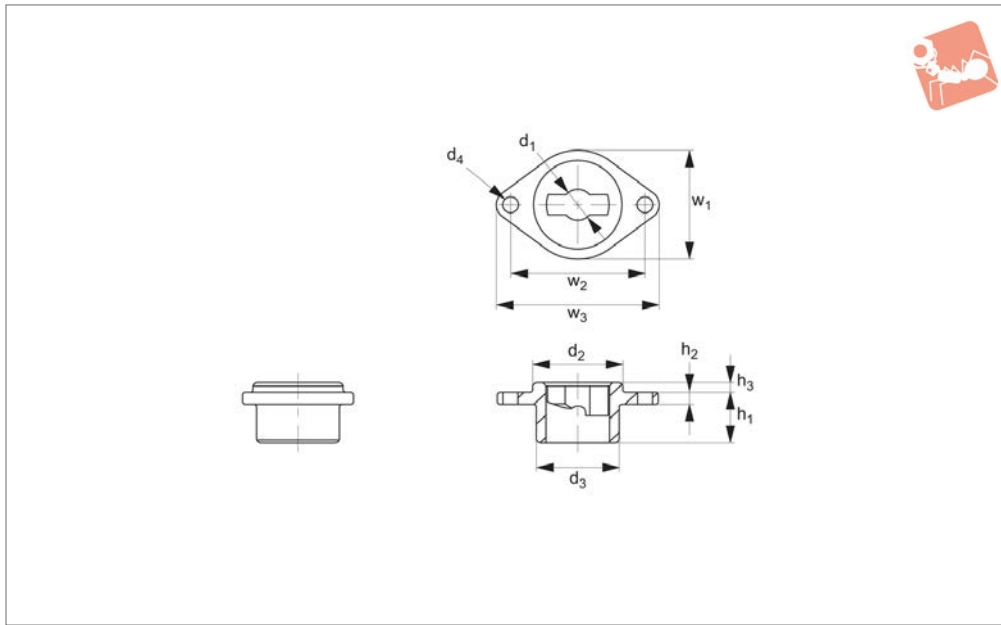
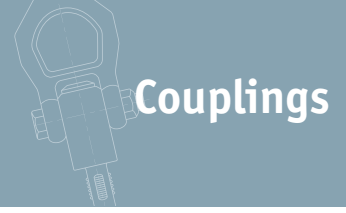




Receiver - Plate Mount - Cam Locking for Quick Plug Coupling no. 64775



64782

COUPLINGS

Material

Body: tempered steel SCM440, nickel plated.

Technical Notes

Receiver for use with quick plug coupling,

cam locking no. 64775. Plate mount version suited to installation in thin walled parts, and sub-flush to the mounting surface.

Temperature resistant to 200° C

Suitable only for linear movement applications, does not transmit any torque.

Order No.	d_1 +0.08 +0.04	d_2 tol. h9	d_3	d_4	h_1	h_2	h_3	w_1	w_2	w_3	Weight g
64782.W0514	5	14	13	2.4	8	2	1.5	17	21	25	8