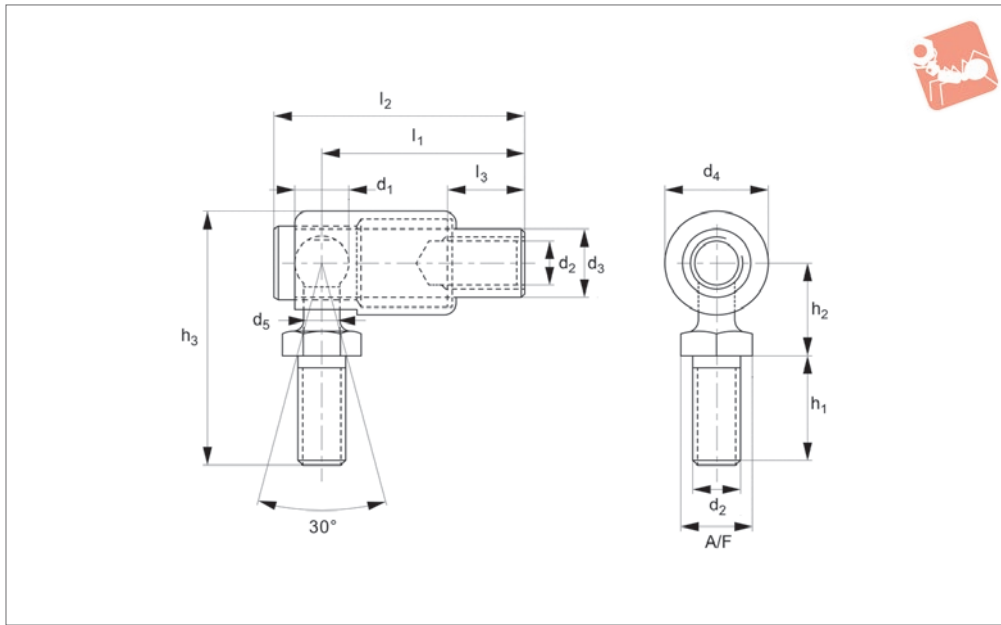
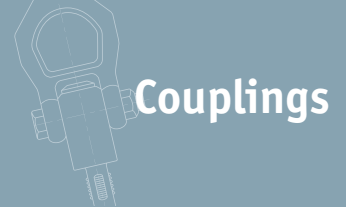




Quick Release Ball Joints

A2 stainless and steel, zinc-plated



65542

COUPLINGS

Material

Body: stainless steel (A2, AISI 303) or steel zinc-plated.

Shield and ball stud: carbon steel.

Body and ball stud: case hardened.

Spring: (302 S26) stainless steel or equivalent, zinc plated.

Technical Notes

The spring loaded outer shield allows both rapid release and reconnection of the ball stud.

Linkage assemblies can be installed or removed without disturbing pre-set centres.

These are metric equivalents to SAE J 490 Style 1 quick release detachable ball joints.

Tips

Standard thread is a right hand thread.

Order No.	Thread hand	d ₁	d ₂	l ₁	l ₂	d ₃	d ₄	d ₅	h ₁	h ₂	h ₃	l ₃	A/F	Weight g
65542.W0105	Right	6.35	M 5	23.0	28	7.9	11.1	4.35	11.1	11.9	28.6	11.1	8	17
65542.W0106	Right	7.9	M 6	24.6	30	9.4	13.0	4.95	12.6	12.6	33.4	13.0	10	25
65542.W0108	Right	8.6	M 8	31.7	40	11.1	16.0	5.8	15.2	15.2	40.6	14.3	11	48
65542.W0110	Right	10.7	M10	39.7	49	14.1	19.0	6.85	19.8	19.8	51.4	27.0	13	78

