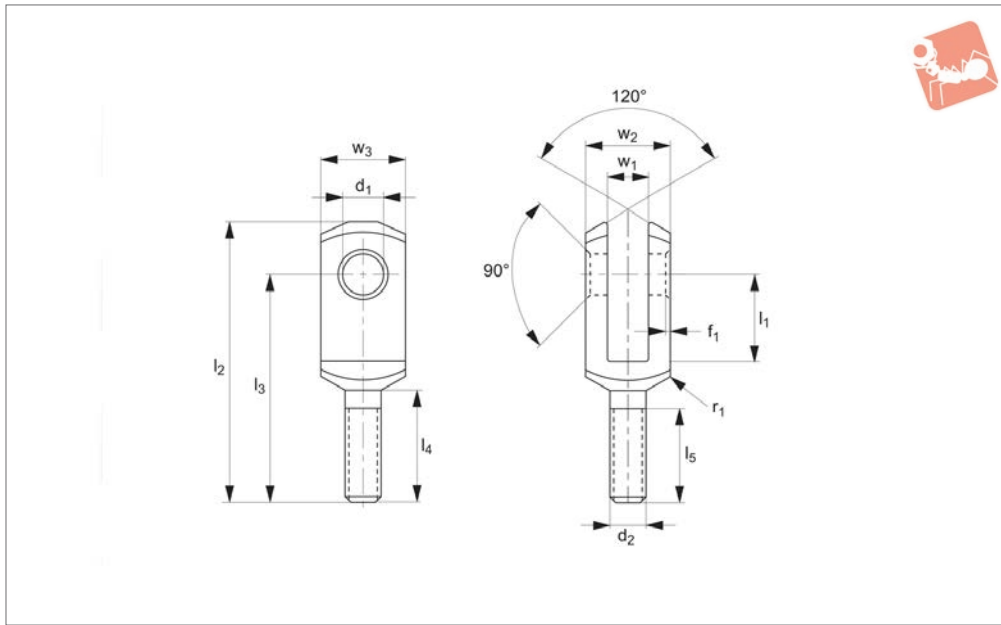




Stainless Male Clevis Joints

left hand thread

Clevis Joints



65646

CLEVIS JOINTS

Material

Stainless steel (1,4305 AISI 303).

standard.

Technical Notes

Similar to DIN 71 752/DIN ISO 8140/CETOP

Tips

Other Tolerances: For r_1 , radius or 45° bevelling.

Order No.	Size	Thread hand	d_1 tol. H9	l_1 ± 0.5	d_2	l_2 ± 0.2	l_3 ± 0.4	l_4 ± 0.2	l_5	w_1 +0.7 -0.15	w_2 +0.5 +0.2	w_3 tol. h11	f_1 ± 0.2	r_1	Weight g
65646.W0006	6x12	Left	6	12	M6	44	37	20	15	6	12	12	0.5	0.8	15
65646.W0008	8x16	Left	8	16	M8	57	47	25	20	8	16	16	0.5	0.8	36
65646.W0010	10x20	Left	10	20	M10	69	57	30	25	10	20	20	0.5	0.8	68
65646.W0012	12x24	Left	12	24	M12	82	68	35	30	12	24	24	0.5	0.8	112
65646.W0014	14x28	Left	14	28	M14	94	78	40	35	14	27	27	1.0	1.2	171
65646.W0016	16x32	Left	16	32	M16	108	89	45	40	16	32	32	1.0	1.2	288
65646.W0020	20x40	Left	20	40	M20	134	109	55	50	20	40	40	1.0	1.5	550



Parts overview

CLEVIS JOINTS

Clevis Joints

Stocked to DIN 71752 in steel and stainless steel. Plain clevis joints available in right and left hand threads zinc plated steel and stainless steel. Steel sizes from M4 up to M48. Stainless sizes from M4 up to M27.



Clevis Mating Pieces

These are designed to fit in between our clevis joints to create a linkage where an angular offset is required. Available in zinc plated steel and stainless steel. Sizes M4 up to M20.



Clevis Pins and Clips

Various styles of pins and clips to suit clevis joints in zinc plated steel and stainless steel. Sizes available to suit all sizes of clevis joints that we offer.



Clevis Retention Clips

These are the most popular type of clip used with our clevis joints. They create a neat compact assembly, only available in zinc plated steel. Size available for clevis joints from 4mm up to 20mm.



Male Clevis Joints

Stocked in zinc plated steel and stainless steel, right and left hand threads. Sizes M6 up to M20.





Clevis with retention clip
65630 and 65684



Clevis with clevis pin, washer and cotter pin
65660 and 65674



Zinc plated steel

Clevis with clevis pin 65664
Safety fastener 65680

Clevis with clevis pin and circlips 65666 and 65678



Clevis with clevis pin, washer and cotter pin 65661 and 65675



Stainless steel

Clevis with 65652 mating piece and 65684 clevis retention clip



Clevis with 65880 rod end and 65684 clevis retention clip



Assembly options

Tensile tests, statistically to failure (break)

Clevis joints axially loaded.

Leaded low carbon steel (AISI 12L14, 1.0718).

Clevises M6 - M42

Material

Clevis size	F min (kN)	F max (kN)	F average value (kN)	Avg. force when clevis starts to deform (kN)
6 x 24 M 6	16,0	19,5	17,6	15,3
8 x 32 M 8	33,2	35,6	34,6	29,3
10 x 40 M10	42,0	52,0	47,5	41,3
12 x 48 M12	53,0	68,5	61,1	50,2
14 x 56 M14	60,5	64,5	63,0	48,8
16 x 64 M16	133,5	146,0	140,2	115
20 x 40 M20	194,5	234,0	213,5	176
25 x 50 M25	311,0	336,0	328,0	260
30 x 60 M30	428,0	450,0	440,6	343
36 x 72 M36	566,0	573,0	569,5	300
35 x 72 M36	561,2	567,9	564,6	370
42 x 84 M42	904,6	904,6	904,6	420

Important note: values in this table are indicative only and should only be used as a rough guide. The Company cannot foresee the intended applications of their products and we accept no liability for any actions taken by third parties. Customers are advised to use their own safety factors and/or perform their own testing on the clevis joint to ensure it meets requirements for their application.