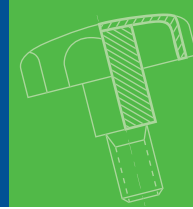


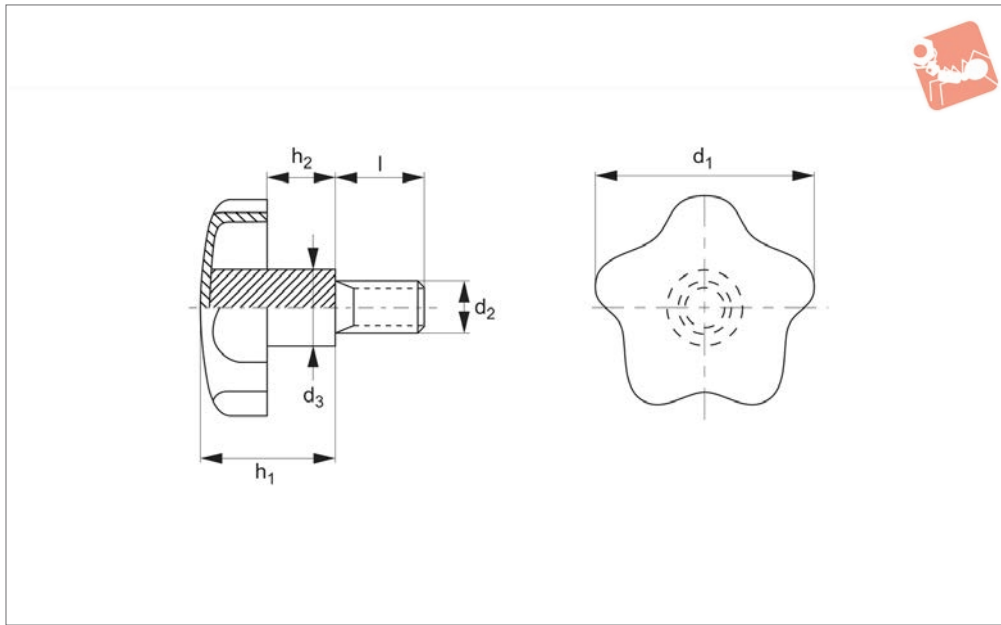


Star Grips

male, stainless steel



Grips



70162

GRIPS

Material

Grip: sheet drawn stainless (AISI 304), dull blasted.

Hub: stainless steel (AISI 304), butt-welded.

Order No.	d ₁	d ₂	d ₃	h ₁ ≈	h ₂ ≈	l	Weight g
70162.W0140	40	M 8	14	24.0	12.0	20	50
70162.W0142	40	M 8	14	24.0	12.0	30	55
70162.W0144	40	M 8	14	24.0	12.0	40	56
70162.W0150	50	M10	18	30.0	16.5	20	95
70162.W0152	50	M10	18	30.0	16.5	30	97
70162.W0154	50	M10	18	30.0	16.5	40	100
70162.W0160	60	M12	20	37.5	20.0	30	155
70162.W0162	60	M12	20	37.5	20.0	40	162
70162.W0164	60	M12	20	37.5	20.0	50	169

