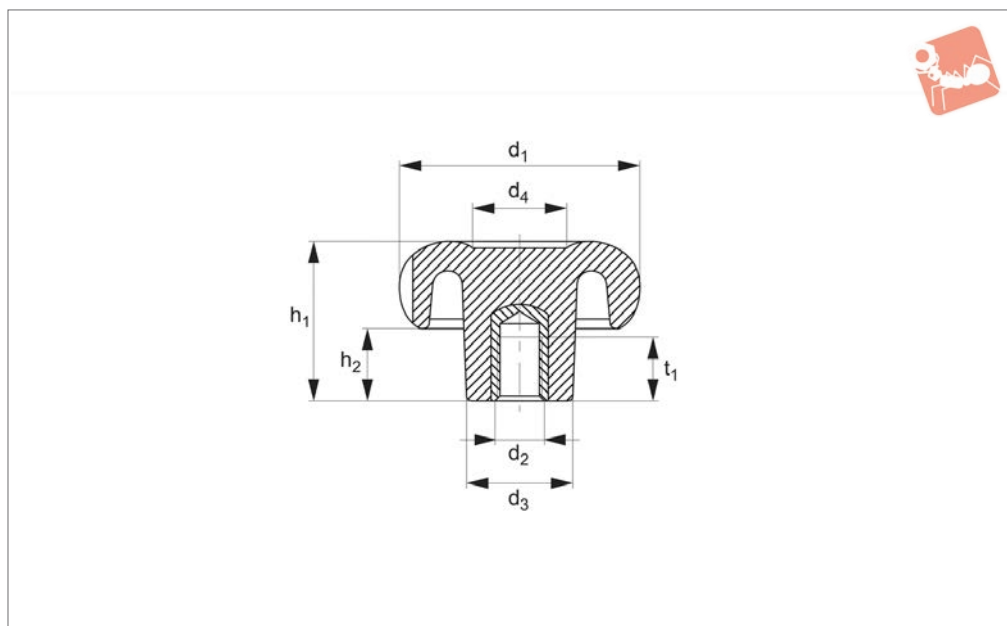




Three Lobe Knob with stainless steel bush



Grips



70580

GRIPS

Material

Grip: thermoplastic, black.
Bush: stainless steel.

Order No.	d ₁	d ₂	d ₃	d ₄	h ₁	h ₂	t ₁	Weight g
70580.W0060	30	M 6	14	11	22	11	9	11
70580.W0080	40	M 8	18	15	28	13	13	26
70580.W0100	50	M10	22	20	33	15	16	43