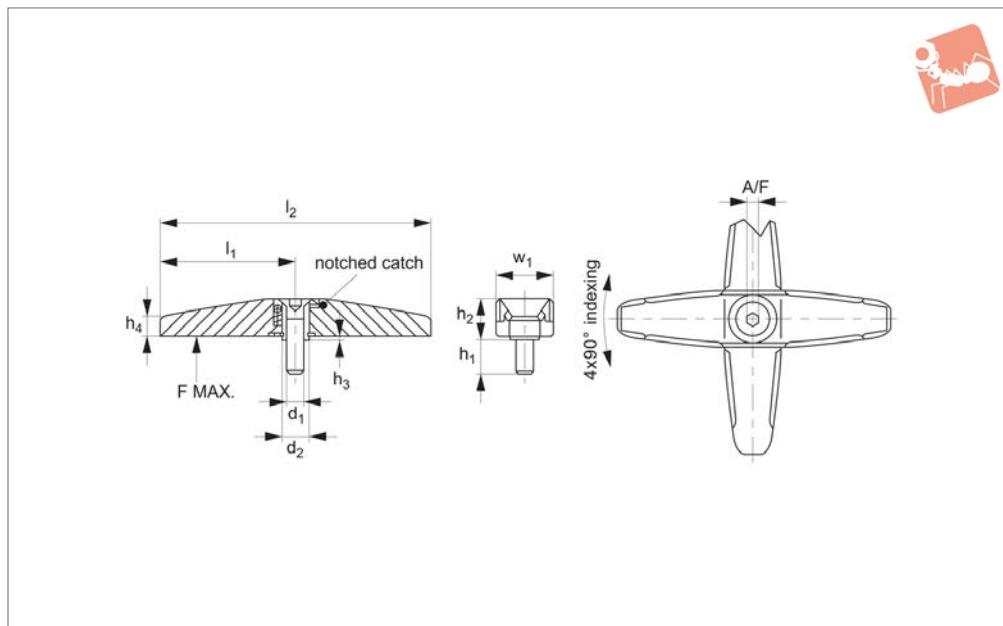




Retaining Catches

double-sided



73902

RETAINING CATCHES

Material

Body: die cast zinc, black coated to RAL 9005 or silver coated to RAL 9006.
Fixing screw: stainless steel A2.

Inner parts: dry powdered metal.

Technical Notes

Quick retaining catch with positive index-

ing. Ideal for retaining doors, panels as well as for retaining parts during transportation.

Retaining catch is indexed 4x90°.

Order No.	Colour	d ₁	d ₂	l ₁	l ₂	h ₁	h ₂	h ₃	h ₄	Load F N max.	w ₁	A/F	Weight g
73902.W0601	Silver	M 6	9	45	90	12	13.3	0.8	6.5	500	19.0	4	93
73902.W0602	Black	M 6	9	45	90	12	13.3	0.8	6.5	500	19.0	4	93
73902.W0651	Silver	M 8	14	65	130	14	15.8	0.8	9.0	1000	25.2	5	220
73902.W0652	Black	M 8	14	65	130	14	15.8	0.8	9.0	1000	25.2	5	220

