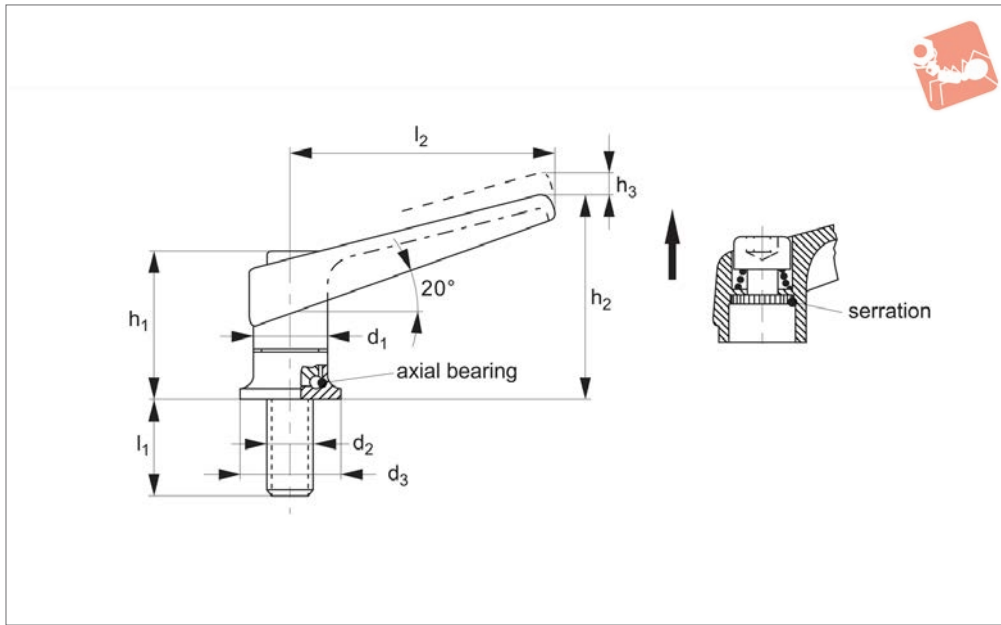




Adjustable Clamping Levers with axial bearing - with grub screw



74480

CLAMPING LEVERS

Material

Lever: die-cast zinc.

Orange RAL 2004,

Black RAL 9005.

Inner parts: heat-treated steel, nitrided, blackened.

Screw: steel, nitrided, blackened.

Technical Notes

Lifting the lever disengages the serrations

and the lever can be positioned. On releasing the lever the serrations are automatically re-engaged.

Tips

Benefits of axial bearing:

- clamping force is 100% greater than when using standard levers (see graph).
- smaller clamping levers can be used due to the improved clamping force.

- considerably less force loss due to setting.

- no releasing due to vibration.

- no damage to clamped parts, due to axial action.

Order No.	Finish	d ₁	d ₂	d ₃	h ₁	h ₂	h ₃	l ₁	l ₂	Weight g
74480.W0030	Orange	18	M_6	24	34.5	50	3.0	20	62	97
74480.W0050	Orange	18	M_6	24	34.5	50	3.0	27	62	98
74480.W0130	Orange	22	M_8	25	39.5	56	3.5	21	74	151
74480.W0150	Orange	22	M_8	25	39.5	56	3.5	36	74	157
74480.W0230	Orange	25	M10	30	46.5	66	4.0	29	89	232
74480.W0250	Orange	25	M10	30	46.5	66	4.0	47	89	242
74480.W0330	Orange	30	M12	35	56.5	82	5.0	34	108	412
74480.W0346	Orange	30	M12	35	56.5	82	5.0	50	108	420
74480.W0350	Orange	30	M12	35	56.5	82	5.0	57	108	426
74480.W0364	Orange	30	M12	35	56.5	82	5.0	65	108	431
74480.W0384	Orange	30	M12	35	56.5	82	5.0	85	108	449
74480.W0032	Black	18	M_6	24	34.5	50	3.0	20	62	97
74480.W0052	Black	18	M_6	24	34.5	50	3.0	27	62	98
74480.W0132	Black	22	M_8	25	39.5	56	3.5	21	74	151
74480.W0152	Black	22	M_8	25	39.5	56	3.5	36	74	157
74480.W0232	Black	25	M10	30	46.5	66	4.0	29	89	232
74480.W0252	Black	25	M10	30	46.5	66	4.0	47	89	242
74480.W0332	Black	30	M12	35	56.5	82	5.0	34	108	412
74480.W0348	Black	30	M12	35	56.5	82	5.0	50	108	420
74480.W0352	Black	30	M12	35	56.5	82	5.0	57	108	426
74480.W0366	Black	30	M12	35	56.5	82	5.0	65	108	431
74480.W0386	Black	30	M12	35	56.5	82	5.0	85	108	449

