

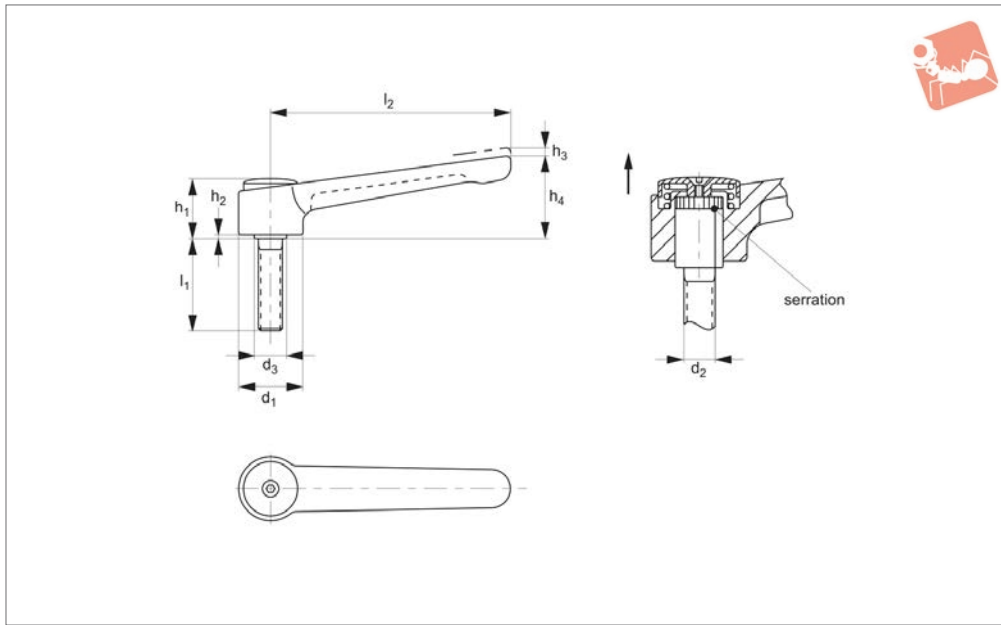


Adjustable Clamping Levers

cast zinc, inner parts steel



Clamping Levers



74494

CLAMPING LEVERS

Material

Lever: Zinc die-cast, plastic coated, matt
 Black - similar to RAL 9005
 Silver - similar to RAL 9006
 Inner: Steel, blackened
 Screw: Steel, blackened
 Cover: Plastic.

Technical Notes

By lifting up the lever, the serrations are disengaged and the handle can then be swung to any position. On releasing the serrations are automatically re-engaged.

Screw part can be changed.

Tips

Suitable for use in restricted areas due to low height and adjustable lever.
 Screw part can be changed.

Order No.	Colour	d ₁	d ₂	d ₃	h ₁	h ₂	h ₃	h ₄	l ₁	l ₂	Weight g
74494.W0450	Black	32	M10	16	29.5	2	2.5	41.5	20	120	202
74494.W0455	Black	32	M10	16	29.5	2	2.5	41.5	25	120	204
74494.W0460	Black	32	M10	16	29.5	2	2.5	41.5	32	120	207
74494.W0465	Black	32	M10	16	29.5	2	2.5	41.5	40	120	211
74494.W0470	Black	32	M10	16	29.5	2	2.5	41.5	50	120	216
74494.W0475	Black	32	M10	16	29.5	2	2.5	41.5	63	120	222
74494.W0480	Black	32	M10	16	29.5	2	2.5	41.5	80	120	231
74494.W0485	Black	32	M12	16	29.5	2	2.5	41.5	20	120	206
74494.W0490	Black	32	M12	16	29.5	2	2.5	41.5	25	120	210
74494.W0495	Black	32	M12	16	29.5	2	2.5	41.5	32	120	215
74494.W0500	Black	32	M12	16	29.5	2	2.5	41.5	40	120	221
74494.W0505	Black	32	M12	16	29.5	2	2.5	41.5	50	120	228
74494.W0510	Black	32	M12	16	29.5	2	2.5	41.5	63	120	236
74494.W0515	Black	32	M12	16	29.5	2	2.5	41.5	80	120	248
74494.W0525	Black	40	M12	23	42.0	4	4.0	56.0	32	145	434
74494.W0530	Black	40	M12	23	42.0	4	4.0	56.0	40	145	440
74494.W0535	Black	40	M12	23	42.0	4	4.0	56.0	50	145	447
74494.W0540	Black	40	M12	23	42.0	4	4.0	56.0	63	145	455
74494.W0545	Black	40	M12	23	42.0	4	4.0	56.0	80	145	467
74494.W0550	Black	40	M16	23	42.0	4	4.0	56.0	32	145	449
74494.W0555	Black	40	M16	23	42.0	4	4.0	56.0	40	145	460
74494.W0560	Black	40	M16	23	42.0	4	4.0	56.0	50	145	472
74494.W0565	Black	40	M16	23	42.0	4	4.0	56.0	63	145	491
74494.W0570	Black	40	M16	23	42.0	4	4.0	56.0	80	145	513
74494.W0850	Silver	32	M10	16	29.5	2	2.5	41.5	20	120	202
74494.W0855	Silver	32	M10	16	29.5	2	2.5	41.5	25	120	204
74494.W0860	Silver	32	M10	16	29.5	2	2.5	41.5	32	120	207
74494.W0865	Silver	32	M10	16	29.5	2	2.5	41.5	40	120	211
74494.W0870	Silver	32	M10	16	29.5	2	2.5	41.5	50	120	216
74494.W0875	Silver	32	M10	16	29.5	2	2.5	41.5	63	120	222
74494.W0880	Silver	32	M10	16	29.5	2	2.5	41.5	80	120	231



Order No.	Colour	d ₁	d ₂	d ₃	h ₁	h ₂	h ₃	h ₄	l ₁	l ₂	Weight g
74494.W0885	Silver	32	M12	16	29.5	2	2.5	41.5	20	120	206
74494.W0890	Silver	32	M12	16	29.5	2	2.5	41.5	25	120	210
74494.W0895	Silver	32	M12	16	29.5	2	2.5	41.5	32	120	215
74494.W0900	Silver	32	M12	16	29.5	2	2.5	41.5	40	120	221
74494.W0905	Silver	32	M12	16	29.5	2	2.5	41.5	50	120	228
74494.W0910	Silver	32	M12	16	29.5	2	2.5	41.5	63	120	236
74494.W0915	Silver	32	M12	16	29.5	2	2.5	41.5	80	120	248
74494.W0925	Silver	40	M12	23	42.0	4	4.0	56.0	32	145	434
74494.W0930	Silver	40	M12	23	42.0	4	4.0	56.0	40	145	440
74494.W0935	Silver	40	M12	23	42.0	4	4.0	56.0	50	145	447
74494.W0940	Silver	40	M12	23	42.0	4	4.0	56.0	63	145	455
74494.W0945	Silver	40	M12	23	42.0	4	4.0	56.0	80	145	467
74494.W0950	Silver	40	M16	23	42.0	4	4.0	56.0	32	145	449
74494.W0955	Silver	40	M16	23	42.0	4	4.0	56.0	40	145	460
74494.W0960	Silver	40	M16	23	42.0	4	4.0	56.0	50	145	472
74494.W0965	Silver	40	M16	23	42.0	4	4.0	56.0	63	145	491
74494.W0970	Silver	40	M16	23	42.0	4	4.0	56.0	80	145	513