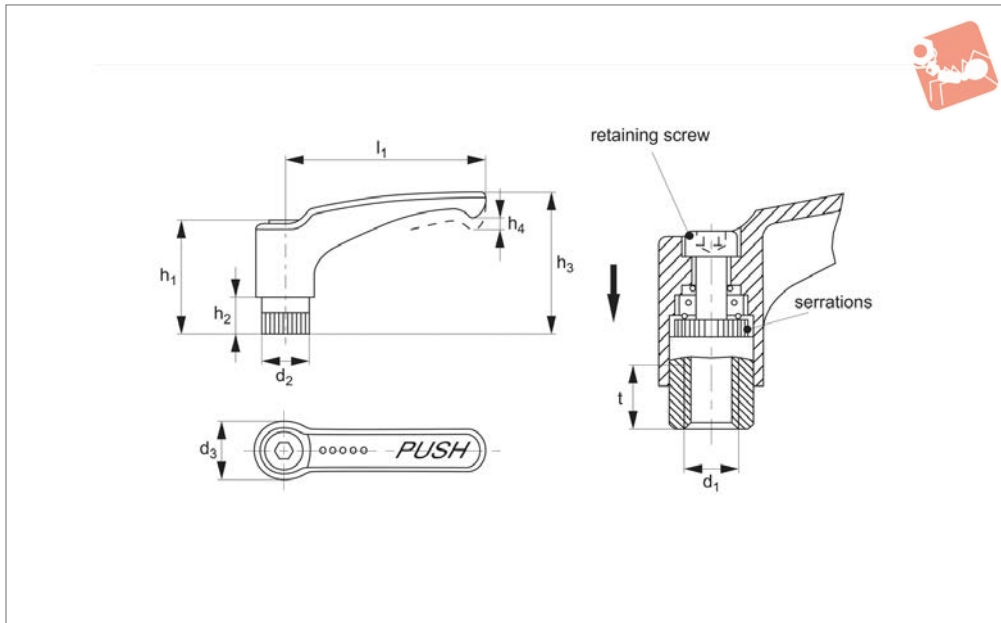




Free Running Safety Clamping Lever, free-running when not engaged

Clamping Levers



74860

CLAMPING LEVERS

Material

Plastic technopolymer (polyamide PA) glass fibre reinforced, black.
Inner parts: steel, blackened embedded in black plastic.

Tips

Unique Safety Handle.

When not in use, the lever is not engaged with threaded insert, i.e. the adjustable lever turns freely.

As soon as the lever hub is pushed down, both serrations will engage, allowing the fixture to be released or clamped.

After „releasing“, the lever disengages

through spring tension.

Important Notes

Used where accidental loosening or readjustment can result in accidents.
Temperature resistant to +130°C.

Order No.	l_1	d_1	d_2	d_3	h_1	h_2	h_3	h_4 stroke	t min.	Weight g
74860.W0041	44	M 4	12	15.5	29	9	36	3.5	10	14
74860.W0042	44	M 5	12	15.5	29	9	36	3.5	10	13
74860.W0043	44	M 6	12	15.5	29	9	36	3.5	10	12
74860.W0061	63	M 6	15	19.0	37	12	48	4.0	13	25
74860.W0062	63	M 8	15	19.0	37	12	48	4.0	13	24