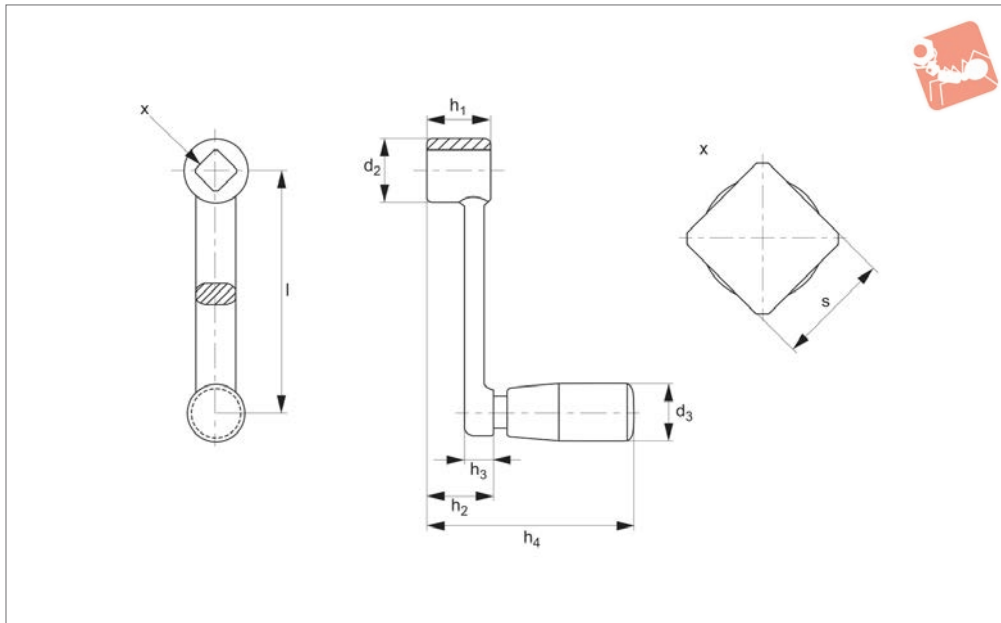




# Crank Handles

stainless steel precision casting

# Cranked & Revolving



**75202**

CRANKED & REVOLVING HANDLES

**Material**

Handle body: stainless steel 1.4308.

Cylindrical handle: Thermoset PF 31, black.

Axe part: stainless steel 1.4301.

**Technical Notes**

Flat side of the hub is machined.

Order No.	l	s tol. H11	d <sub>2</sub>	d <sub>3</sub> cylinder-grip 75120	h <sub>1</sub>	h <sub>2</sub> ≈	h <sub>3</sub>	h <sub>4</sub> ≈	Weight g
75202.W0520	80	10	22	18	22	15.4	6.6	57.9	124
75202.W0530	100	12	22	21	26	17.7	8.3	70.2	187
75202.W0540	125	14	28	23	28	18.8	9.2	86.3	320
75202.W0550	160	17	32	23	32	22.6	9.4	90.1	370