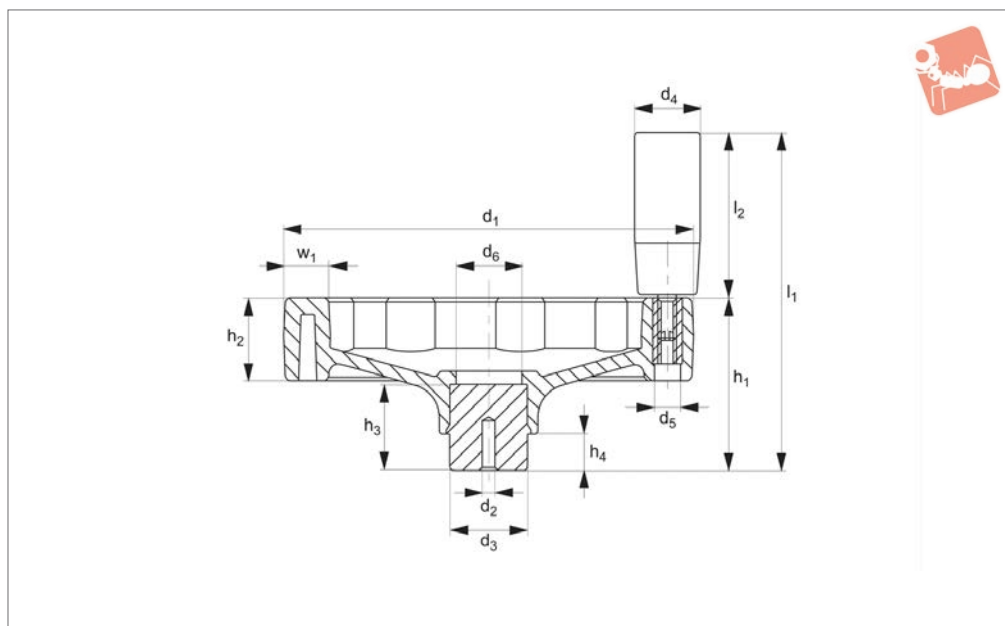




Solid Disc Handwheels with rotating grip



77740

HANDWHEELS

Material

Thermoplastic, black, matt. Zinc plated steel hub.

Technical Notes

The pilot hole allows various sizes of holes, keyways etc. to be machined into the hub.

Order No.	d ₁	d ₂	d ₃	d ₄	d ₅	d ₆	h ₁	h ₂	h ₃	h ₄	l ₁	l ₂	w ₁	Weight g
77740.W0100	100	4	24	12	M_6	18	46	20	24	21	96	50	15	196
77740.W0125	125	6	24	12	M_6	20	51	24	28	21	101	50	17	276
77740.W0160	160	6	32	15	M_8	30	61	28	31	23	131	70	20	504
77740.W0200	200	6	40	15	M10	35	74	32	40	26	164	90	24	950