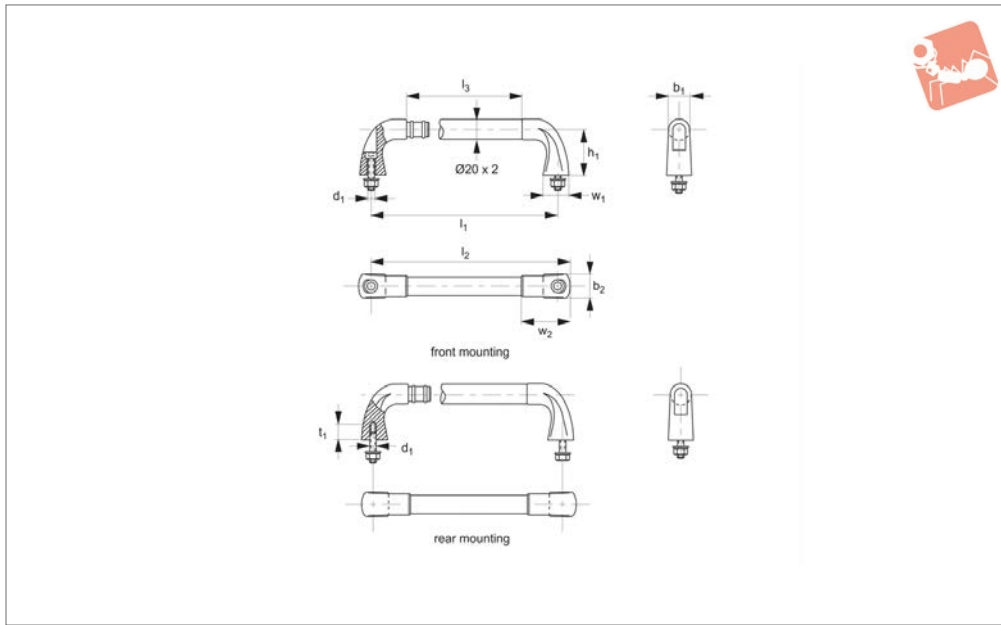
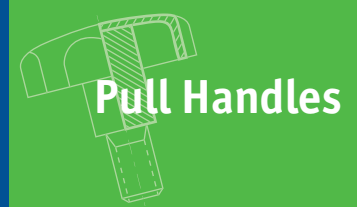




# Pull Handles

stainless steel



**78820**

PULL HANDLES

### Material

Handle shank: cast stainless steel, Gx7 CrNiMoNb 18 10, abrasive blasted and electro-polished, dull bright finish.  
 Connecting tube: stainless steel x5 CrNi 189, 1.4301. Precision ground or grooved plastic coating.

Connection tubes finish grounded and brushed. Handle shanks glass blasted and electro polished with half matte finish.

to DIN 912, M 8x35 and suitable washer and nut. Rear Mounting: supplied with hex screws to DIN 913 and suitable washer. Minimum stress resistance >1000N.

### Technical Notes

Front mounting: supplied with hex screws

Order No.	Tube finish	Type	$l_1$	$l_2$	$l_3$	$b_1$	$b_2$	$d_1$	$h_1$	$t_1$	$w_1$	$w_2$
78820.W0020	Natural	Front Mount	200	226	120	22	26	M 8 x 35	50	-	29	53
78820.W0025	Natural	Front Mount	250	276	170	22	26	M 8 x 35	50	-	29	53
78820.W0030	Natural	Front Mount	300	326	220	22	26	M 8 x 35	50	-	29	53
78820.W0035	Natural	Front Mount	350	376	270	22	26	M 8 x 35	50	-	29	53
78820.W0040	Natural	Front Mount	400	426	320	22	26	M 8 x 35	50	-	29	53
78820.W0120	Plastic Covered	Front Mount	200	226	120	22	26	M 8 x 35	50	-	29	53
78820.W0125	Plastic Covered	Front Mount	250	276	170	22	26	M 8 x 35	50	-	29	53
78820.W0130	Plastic Covered	Front Mount	300	326	220	22	26	M 8 x 35	50	-	29	53
78820.W0135	Plastic Covered	Front Mount	350	376	270	22	26	M 8 x 35	50	-	29	53
78820.W0140	Plastic Covered	Front Mount	400	426	320	22	26	M 8 x 35	50	-	29	53
78820.W0520	Natural	Rear Mount	200	226	120	22	26	M 8 x 20	50	16	29	53
78820.W0525	Natural	Rear Mount	250	276	170	22	26	M 8 x 20	50	16	29	53
78820.W0530	Natural	Rear Mount	300	326	220	22	26	M 8 x 20	50	16	29	53
78820.W0535	Natural	Rear Mount	350	376	270	22	26	M 8 x 20	50	16	29	53
78820.W0540	Natural	Rear Mount	400	426	320	22	26	M 8 x 20	50	16	29	53
78820.W0620	Plastic Covered	Rear Mount	200	226	120	22	26	M 8 x 20	50	16	29	53
78820.W0625	Plastic Covered	Rear Mount	250	276	170	22	26	M 8 x 20	50	16	29	53
78820.W0630	Plastic Covered	Rear Mount	300	326	220	22	26	M 8 x 20	50	16	29	53
78820.W0635	Plastic Covered	Rear Mount	350	376	270	22	26	M 8 x 20	50	16	29	53
78820.W0640	Plastic Covered	Rear Mount	400	426	320	22	26	M 8 x 20	50	16	29	53