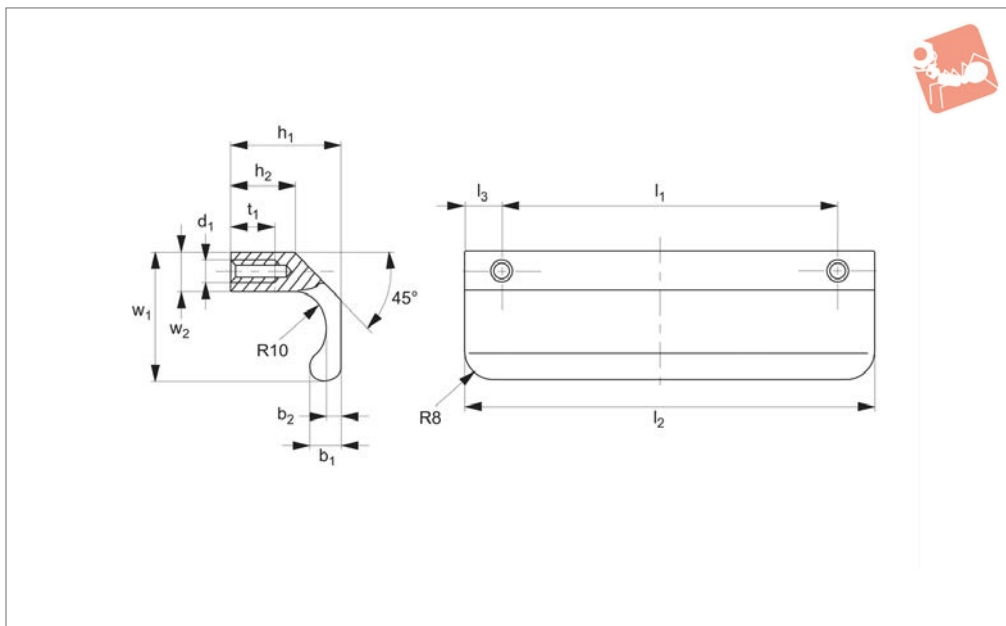




Ledge Handles

stainless steel



78850

PULL HANDLES

Material

Profiled stainless steel 316 (X2 CrNiMo 17 13 2, material no. 1.4404). Finish: blasted and electropolished with a semi-matt

finish.

Technical Notes

Minimum stress resistance 500N.

Any other handle lengths available on request.

Order No.	l_1	l_2	b_1	b_2	d_1	h_1	h_2	t_1	w_1	w_2
78850.W0060	60	80	8	4	M 6	30	20	12	35	10
78850.W0080	80	100	8	4	M 6	30	20	12	35	10
78850.W0100	100	120	8	4	M 6	30	20	12	35	10
78850.W0130	130	150	8	4	M 6	30	20	12	35	10