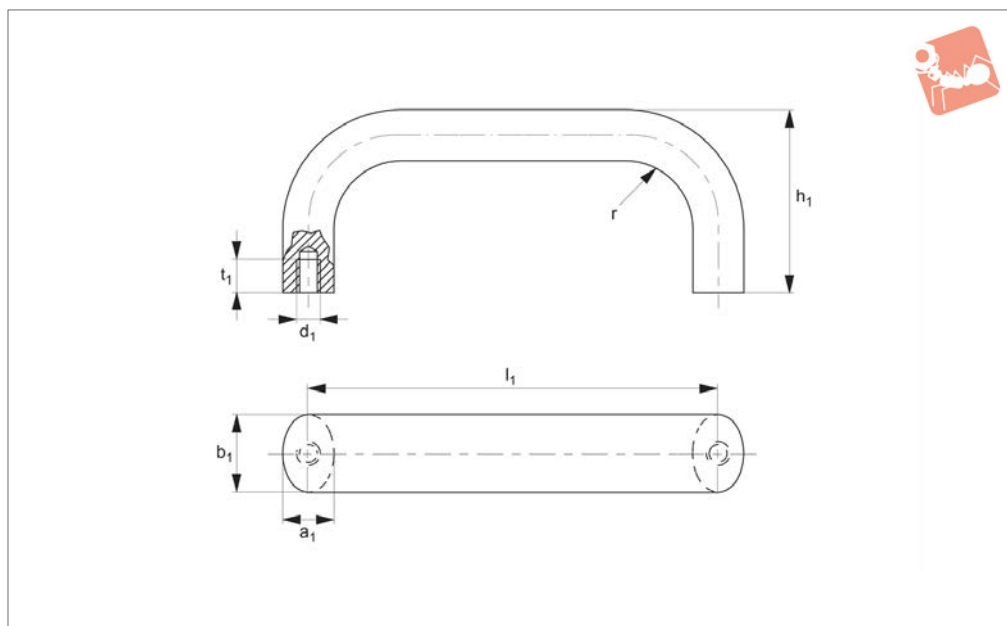




Pull Handles - Oval Type

stainless steel



78910

PULL HANDLES

Material

Stainless steel 1.4301, dull blasted

Technical Notes

Ergonomic design offering high stability and smooth surfaces.

Order No.	l_1	a_1	b_1	d_1	h_1	R	t_1	Weight g
78910.W0510	112	13	20	M 6	49	13	10	270
78910.W0520	128	13	20	M 6	51	13	10	305
78910.W0530	160	13	20	M 6	51	13	10	366
78910.W0540	200	13	20	M 6	51	13	10	440
78910.W0550	250	13	20	M 6	51	13	10	517
78910.W0560	300	13	20	M 6	51	13	10	597
78910.W0580	400	13	20	M 6	51	13	10	737