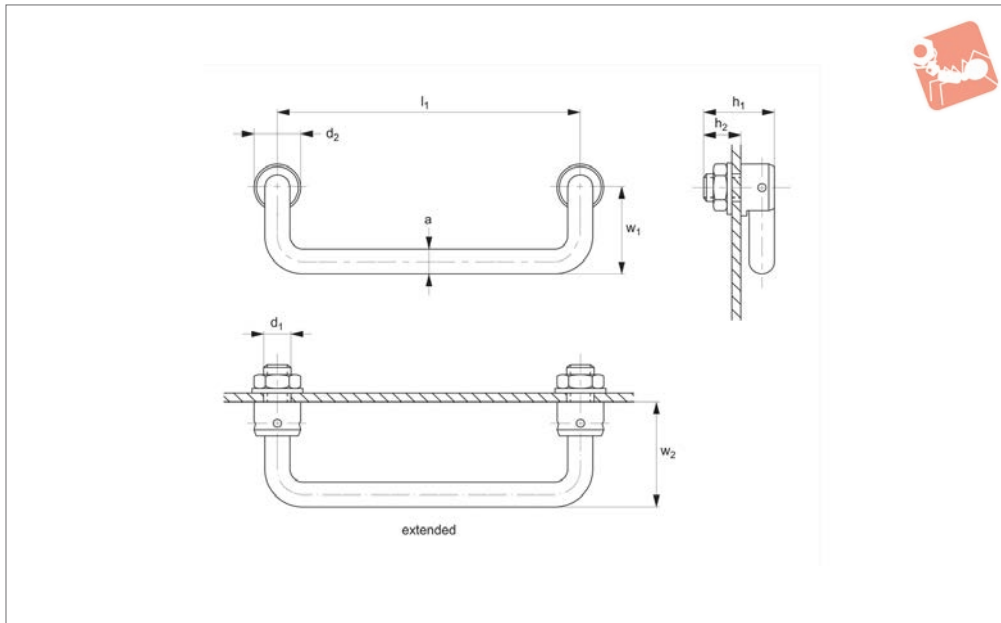




Pull Handles - Collapsible

stainless steel



78970

PULL HANDLES

Material

All components made of round bar stainless steel, material no. 1.4305. Finish: vibration ground to a semi-matt finish.

Technical Notes

Spring-arrest in both retracted and extended positions. One piece pivot bushing. Minimum stress resistance 500N.

Tips

Supplied complete with nuts and washers.

Order No.	l_1	a	d_1	d_2	h_1	h_2	w_1	w_2
78970.W0100	100	10	M10x1	18	28	14	34	43
78970.W0120	120	10	M10x1	18	28	14	34	43
78970.W0180	180	10	M10x1	18	28	14	34	43