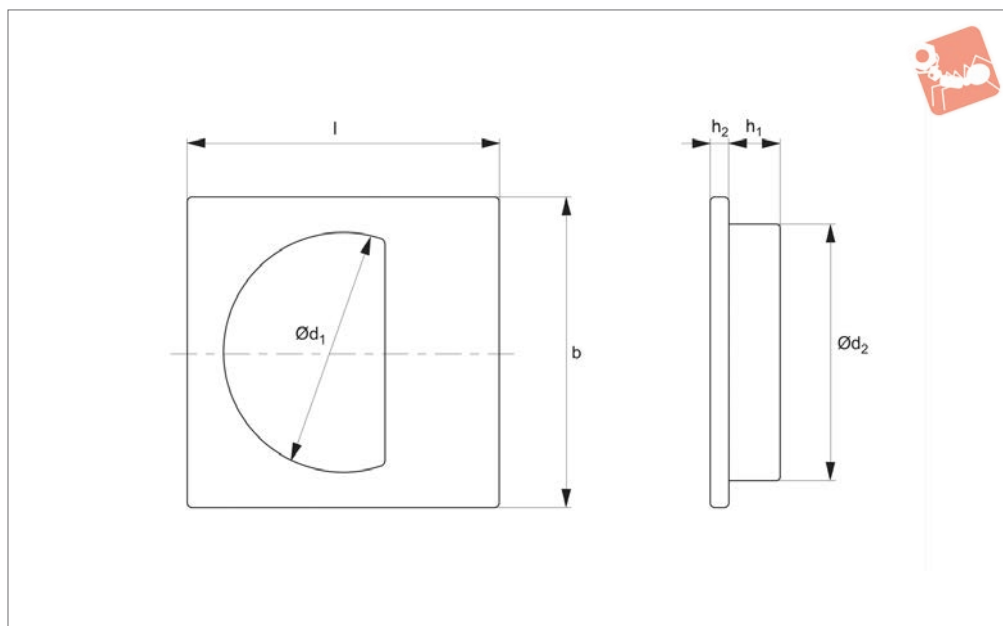




# Recessed Pull Handles

stainless steel



## 79510

PULL HANDLES

### Material

Stainless type: AISI 304 stainless steel, polished.

### Technical Notes

Press fit.

Order No.	Finish	l	b	h <sub>1</sub>	h <sub>2</sub>	Ø d <sub>1</sub>	Ø d <sub>2</sub>	Weight g
79510.W0035	Stainless	44	44	9.8	2.2	31	35.1	10
79510.W0038	Stainless	47	47	10.3	2.2	34	37.6	11
79510.W0048	Stainless	57	57	10.3	2.2	44	48.6	16