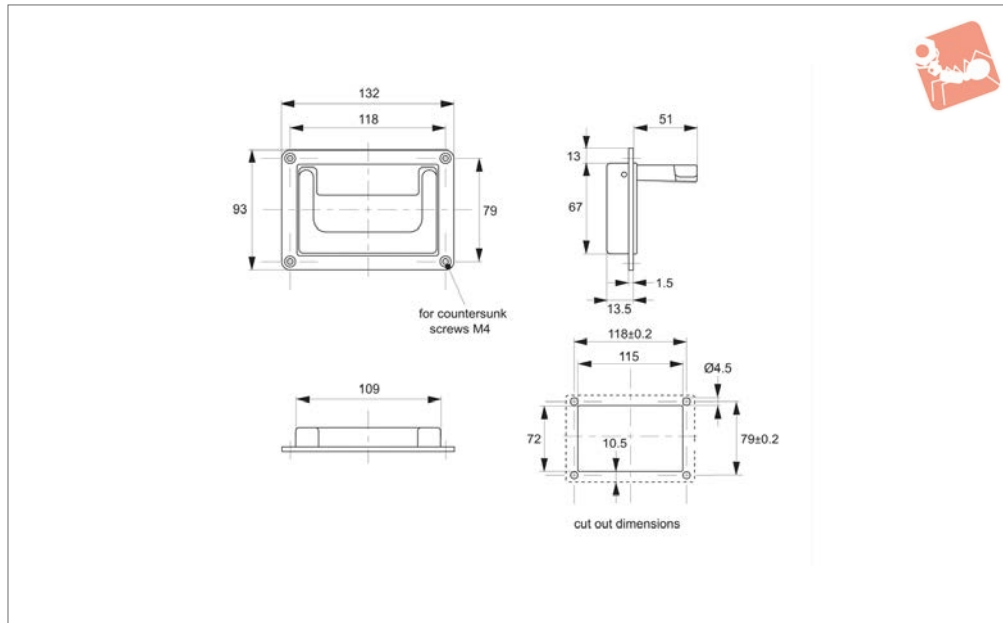




# Tray Handle, Collapsible

stainless steel



**79540**

PULL HANDLES

**Material**

Stainless steel. AISI 304, polished.

**Technical Notes**

Spring return handle, returns from working

to resting position when released.

See cut-out details for mounting dimensions.

Stress resistance: min. 200N

Order No.	Type	Finish	Hole centres
79540.W0118	Spring Return	Electropolished	118
79540.W0218	Spring Return	Brushed	118