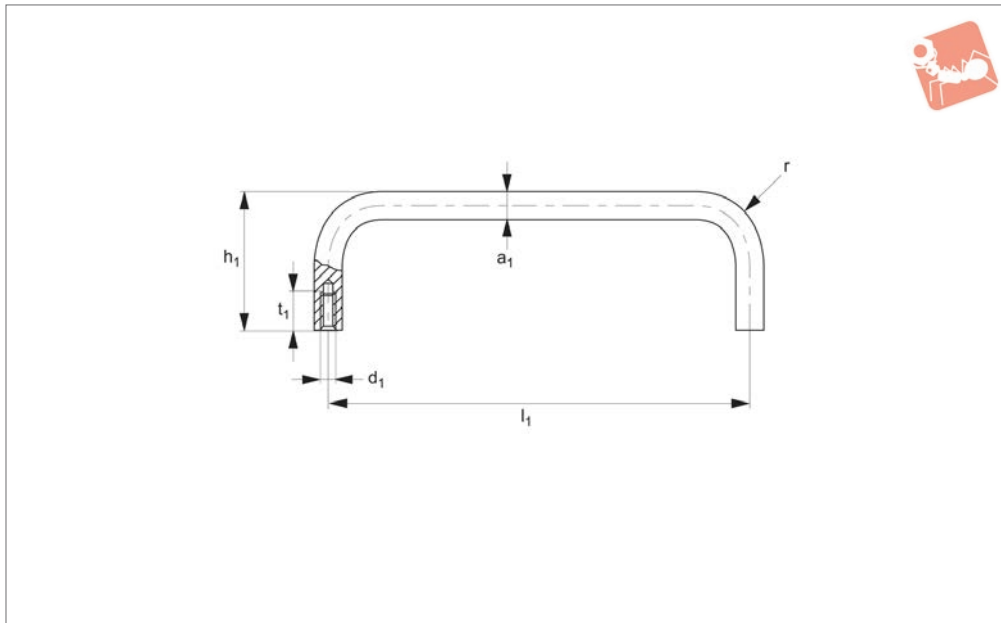




Pull Handles

aluminium, Clean line



79880

PULL HANDLES

Material

Round bar aluminium AlMgSi 0.5. Vibration ground and powder coated in RAL 9002 grey white.

Tips

Especially suited for food and medical industries. Other RAL shades are available on request.

Technical Notes

Minimum stress resistance >1000N.

Order No.	Type	l_1	d_1	a	h_1	R	t_1
79880.W0120	Standard	200	M 8	20	70	22	15
79880.W0125	Standard	250	M 8	20	70	22	15
79880.W0130	Standard	300	M 8	20	70	22	15
79880.W0135	Standard	350	M 8	20	70	22	15
79880.W0140	Standard	400	M 8	20	70	22	15
79880.W0160	Standard	600	M 8	20	70	22	15
79880.W0220	Standard	200	M 8	25	85	28	15
79880.W0225	Standard	250	M 8	25	85	28	15
79880.W0230	Standard	300	M 8	25	85	28	15
79880.W0240	Standard	400	M 8	25	85	28	15
79880.W0260	Standard	600	M 8	25	85	28	15
79880.W0330	Standard	300	M10	30	100	34	15
79880.W0340	Standard	400	M10	30	100	34	15
79880.W0360	Standard	600	M10	30	100	34	15