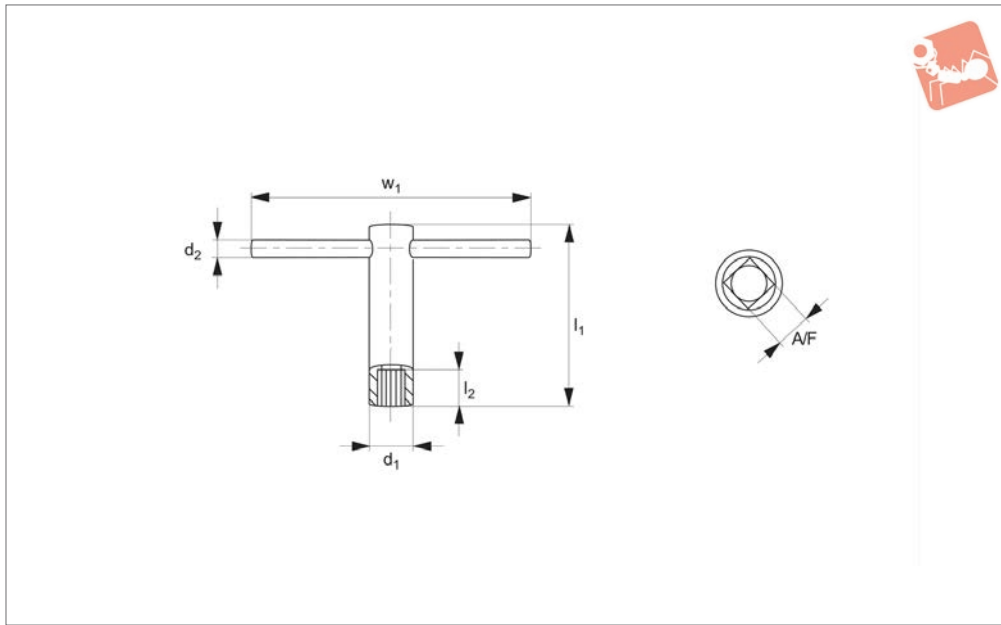




Square Drive Socket T-Wrench

standard - female



92000

HEX KEYS & WRENCHES

Material

Steel (C35/C45).

Body and socket: tempered, hardened and

brown finish.

Technical Notes

Produced to DIN 904.

Order No.	A/F	d ₁	d ₂	l ₁	l ₂	w ₁	Weight g
92000.W0004	4	12.0	6.0	60	11	160	85
92000.W0005	5	12.0	6.0	60	11	160	85
92000.W0006	6	12.0	6.0	80	12	160	100
92000.W0007	7	14.6	6.0	80	15	160	130
92000.W0008	8	16.0	9.0	80	15	180	180
92000.W0009	9	18.0	9.0	100	18	180	245
92000.W0010	10	20.0	11.0	100	18	200	340
92000.W0012	12	24.0	12.0	100	21	250	520
92000.W0013	13	24.0	12.0	100	22	250	520
92000.W0014	14	28.0	14.6	120	24	320	875
92000.W0017	17	34.0	16.0	160	28	400	1625
92000.W0019	19	36.0	16.0	200	30	400	2035
92000.W0022	22	42.0	18.0	200	34	500	2900
92000.W0024	24	45.0	20.0	250	36	630	4270