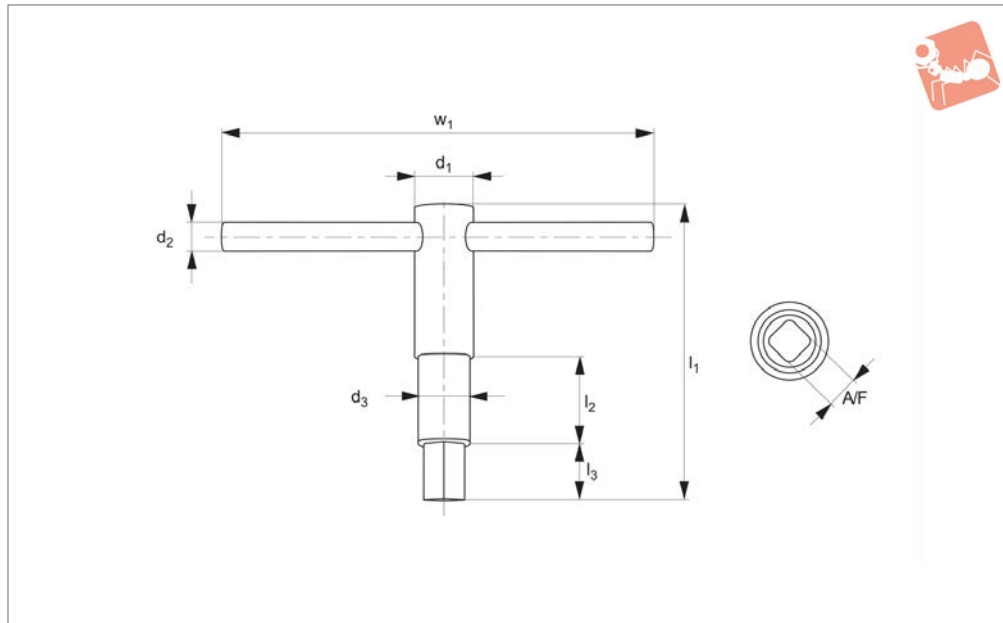




# Square Drive Socket T-Wrench

male



**92050**

HEX KEYS & WRENCHES

### Material

Body and socket; steel (C35/C45), tempered, hardened and with brown finish.

### Technical Notes

Produced to DIN 905.  
92050.W0004 and 92050.W0007 are not to

DIN standard.

Order No.	A/F	d <sub>1</sub>	d <sub>2</sub>	d <sub>3</sub>	l <sub>1</sub>	l <sub>2</sub>	l <sub>3</sub>	w <sub>1</sub>	Weight g
92050.W0004	-4	12.0	6.0	6	60	20	9	160	70
92050.W0005	5	12.0	6.0	8	60	20	11	160	70
92050.W0006	6	12.0	6.0	10	80	22	12	160	80
92050.W0007	-7	14.6	6.0	12	80	26	15	160	115
92050.W0008	8	16.0	9.0	14	80	26	15	180	180
92050.W0009	9	16.0	9.0	14	80	26	17	180	180
92050.W0010	10	20.0	11.0	18	100	30	18	200	320
92050.W0011	11	20.0	11.0	18	100	30	20	200	320
92050.W0012	12	24.0	12.0	20	100	38	21	250	450
92050.W0013	13	24.0	12.0	20	100	38	22	250	450
92050.W0014	14	28.0	14.6	22	120	38	24	320	780
92050.W0017	17	34.0	16.0	25	160	50	28	400	1500
92050.W0019	19	36.0	16.0	28	200	50	30	400	1850
92050.W0022	22	42.0	20.0	32	200	65	34	630	3100