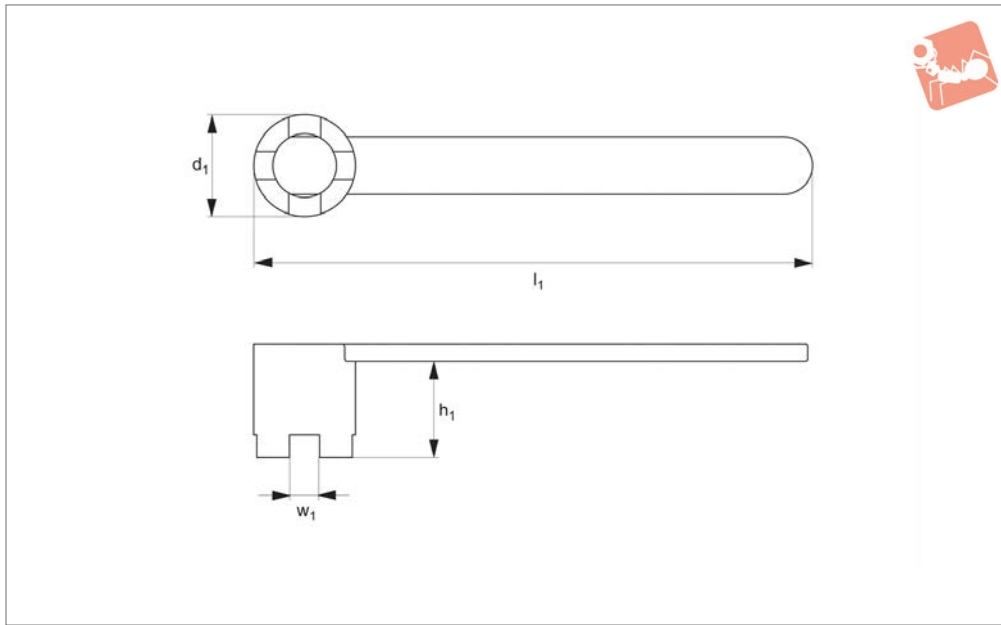




Spanner for Shell and Mill Arbors

for screws to DIN 6367



92100

Material

Steel (C35/C45) hardened, tempered, with brown finish.

Technical Notes

Nominal size refers to diameter of mandrel on milling arbor.

Order No.	Size	For nut to DIN 6367	d_1	h_1	l_1	w_1	Weight g
92100.W0013	13	M 6	18	16	160	6.1	75
92100.W0016	16	M 8	22	20	180	8.1	110
92100.W0022	22	M10	28	25	200	10.1	200
92100.W0027	27	M12	35	32	225	12.1	400
92100.W0032	32	M16	42	36	250	16.1	570
92100.W0040	40	M20	52	40	280	20.2	800
92100.W0050	50	M24	63	45	315	24.2	1100
92100.W0060	60	M30	76	50	355	28.2	1750

