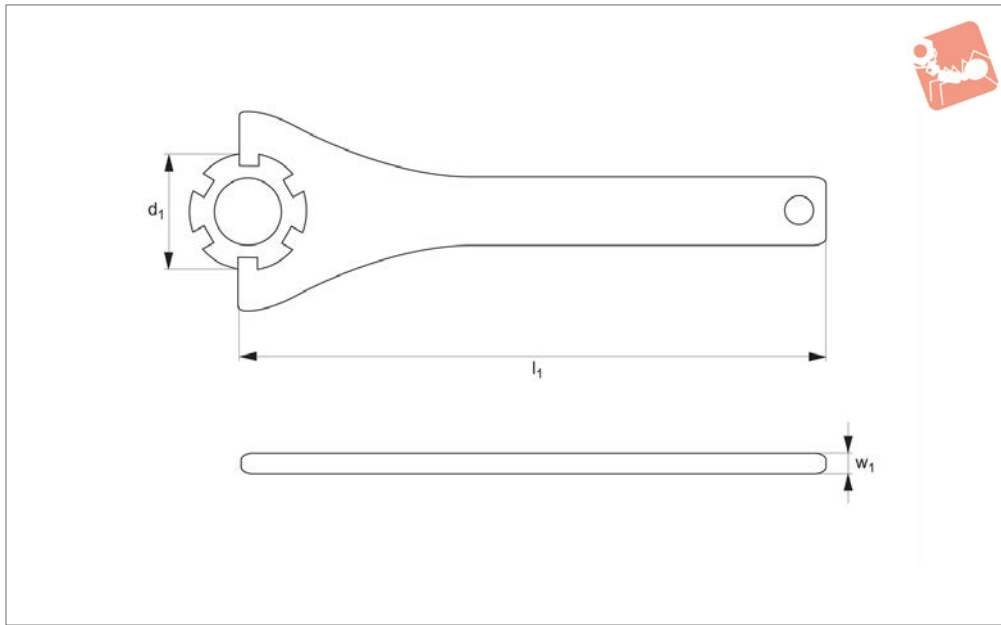




# Collet Spanner for nuts to DIN 6499

## Spanners & Hook Spanners



### 92120

SPANNERS & HOOK SPANNERS

#### Material

Steel (C35/C45), hardened, zinc plated.

#### Technical Notes

For use on clamping nuts to DIN 6499D.

Order No.	Size	For nut to DIN 6499D	d <sub>1</sub>	l <sub>1</sub>	w <sub>1</sub>	Weight g
92120.W0016	16	16	32	163	4	125
92120.W0020	20	20	35	183	5	190
92120.W0025	25	25	42	203	6	255
92120.W0032	32	32	50	253	6	359
92120.W0040	40	40	63	285	6	480
92120.W0050	50	-	78	350	7	810

