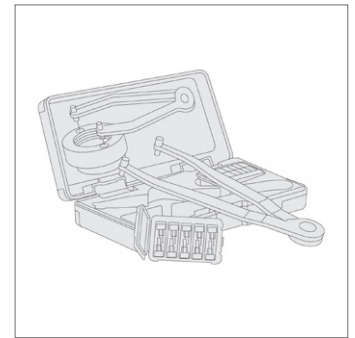
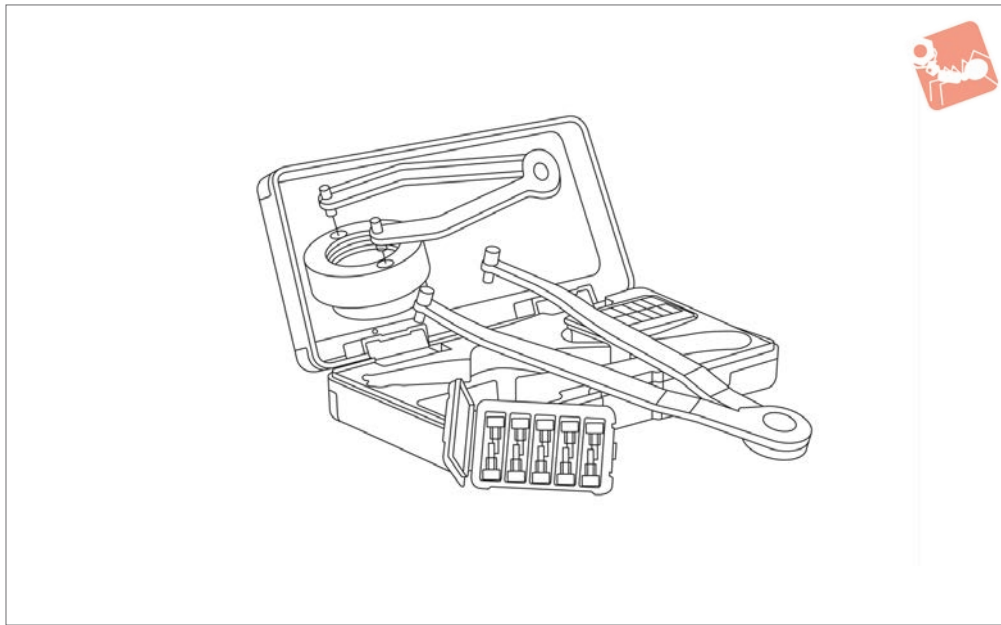




# Adjustable Pin Face Spanner Set with replaceable pins

Spanners &  
Hook Spanners



94020

SPANNERS & HOOK SPANNERS

### Material

Spanner: steel (C35/C45), zinc plated.  
Pins: hardened steel, blackened.

spanner to suit interchangeable pins. Pin set contains two pieces each of pin diameter 1.5, 2, 2.5, 3 and 4. Supplied in robust storage box.

### Technical Notes

Set contains 1 pieces adjustable pin face

Order No.	Box l x w x h	For nut diameter	Pin diameter	Weight g
94020.W0061	165x87x36	8-100	1.5, 2, 2.5, 3, 4	335