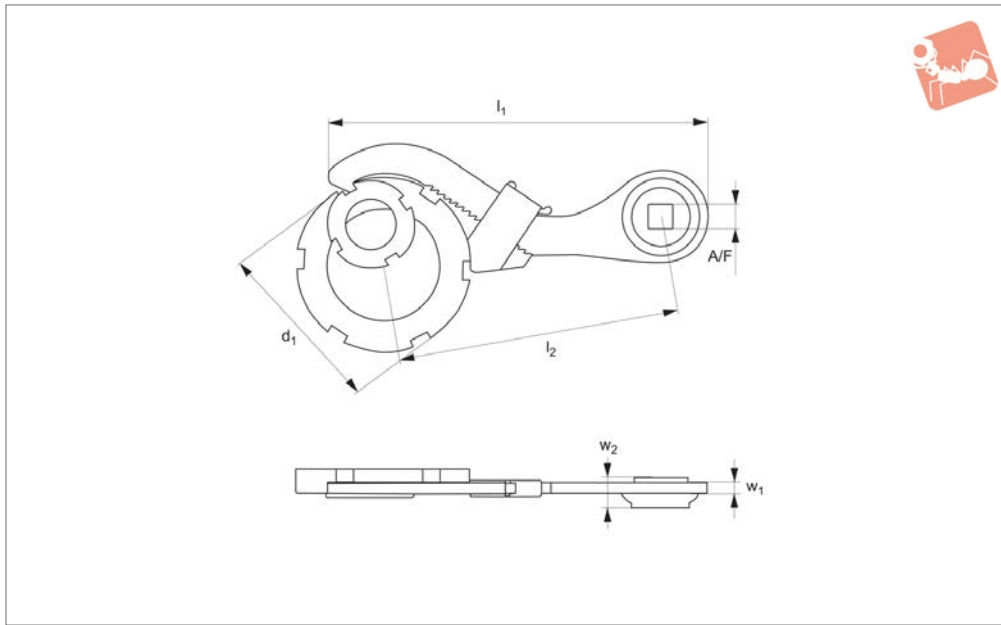




Adjustable Hook Spanner

with hook nose - for use with torque wrench



95105

SPANNERS & HOOK SPANNERS

Material

Special steel, hardened and blued.

Technical Notes

Spanner for adjustment of nuts to DIN

1804 and DIN 981. For use with torque wrenches for more accurate installation and adjustment.

The required torque wrench value is dependent upon dimension l_2 . Please refer to the operating manual of your torque wrench.

dent upon dimension l_2 . Please refer to the operating manual of your torque wrench.

Order No.	d_1 for nut \varnothing	l_1	l_2	w_1	w_2	Drive A/F	Weight g
95105.W0042	20-42	135	100	4	16.0	1/2"	165
95105.W0090	45-90	192	150	6	16.0	1/2"	310
95105.W0165	95-165	272	200	10	16.0	1/2"	680
95105.W0166	95-165	298	220	10	20.5	3/4"	910