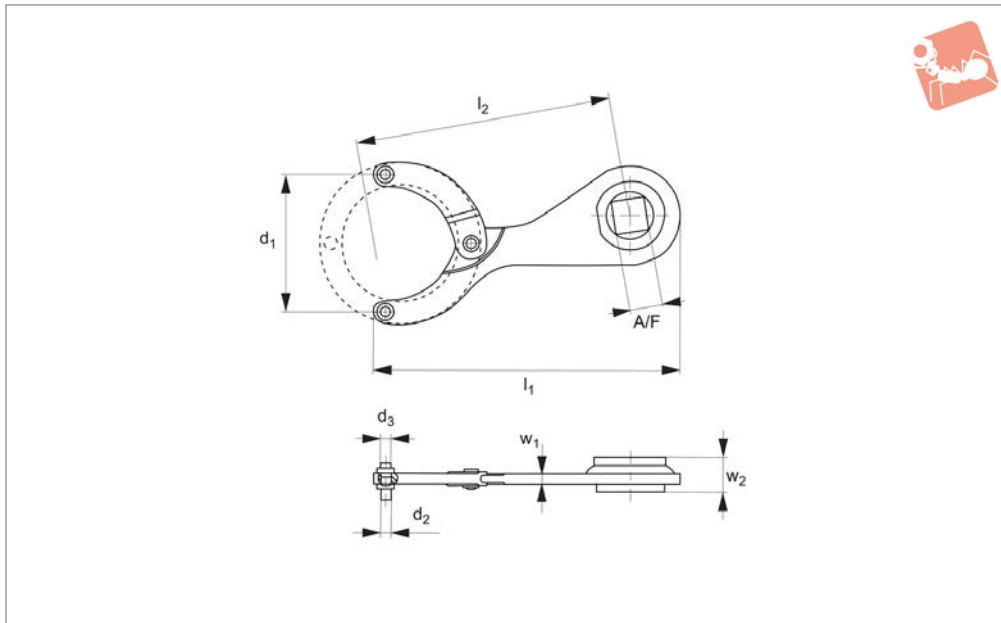




# Adjustable Face Spanner

with replaceable pins - for torque socket wrench



**95352**

SPANNERS & HOOK SPANNERS

**Material**

Special steel, hardened and blackened.

**Technical Notes**

Replaceable, hardened pins.

Pin diameter = nominal diameter -0,1mm (tolerance class h12). See part 95360 for replacement pins.

For use with torque wrench, for more accu-

rate installation and adjustment.

The required torque wrench value is dependent upon dimension  $l_2$ . Please refer to the operating manual of your torque wrench.

Order No.	$d_1$ for nut $\emptyset$	$d_2$ -0.1	$d_3$	$l_1$	$l_2$	$w_1$	$w_2$	Drive A/F	Weight g
95352.W0042	18-40	4	M 4	120	100	5	16.0	1/2"	155
95352.W0082	40-80	5	M 6	180	150	6	20.5	3/4"	450
95352.W0083	40-80	6	M 6	180	150	6	20.5	3/4"	455
95352.W0125	80-125	6	M 6	250	220	8	20.5	3/4"	795
95352.W0127	80-125	8	M 6	250	220	8	20.5	3/4"	800