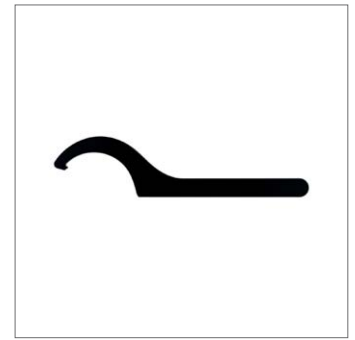
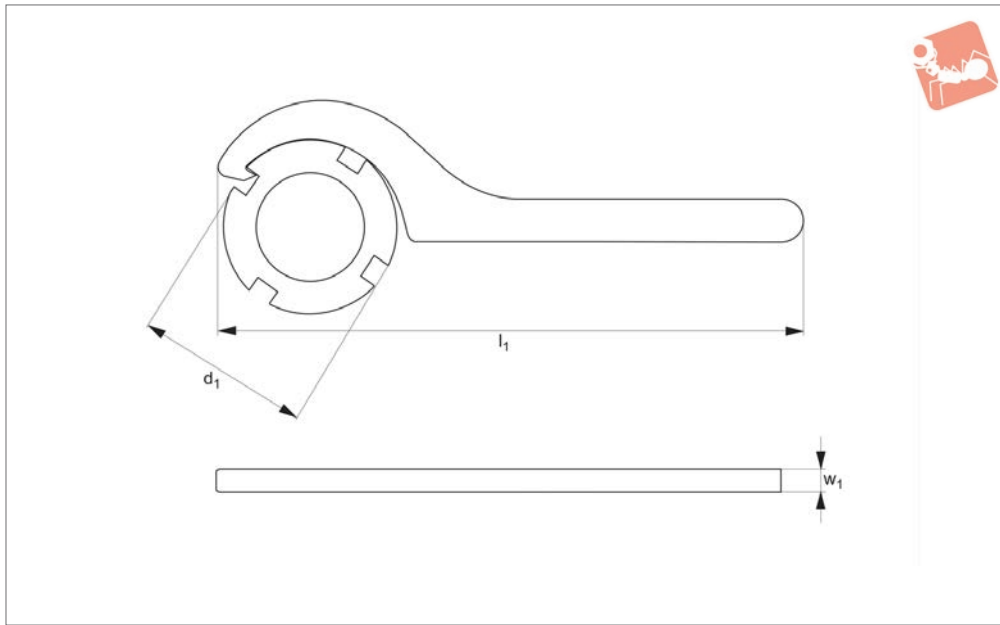




Hook Spanners - with Hook Nose fixed

Spanners & Hook Spanners



95400

SPANNERS & HOOK SPANNERS

Material

Steel (C35/C45), hardened and blackened.
Edgewise ground.

request, subject to minimum order quantities.

DIN 981.

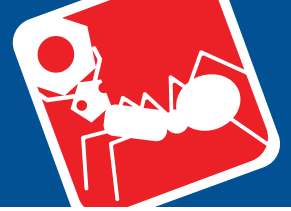
Tips

Items marked (), width varies from DIN standard. For slotted nuts to DIN 1804 and

Technical Notes

To DIN 1810A. Specials available on

Order No.	d ₁ for nut Ø	l ₁	w ₁	Weight g
95400.W0014	12-24	110	3	25
95400.W0020	16-20	110	3	25
95400.W0028	25-28	136	4	45
95400.W0032	30-32	136	4	50
95400.W0036	34-36	170	5	90
95400.W0038	(38-45)	170	5	95
95400.W0042	40-42	170	5	90
95400.W0050	45-50	206	6	155
95400.W0055	52-55	206	6	160
95400.W0062	58-62	240	7	260
95400.W0064	(65-70)	240	7	255
95400.W0075	68-75	240	7	255
95400.W0090	80-90	280	8	410
95400.W0092	(85-92)	280	8	410
95400.W0100	95-100	280	8	405
95400.W0102	(98-105)	290	8	405
95400.W0115	110-115	335	10	745
95400.W0130	120-130	335	10	720
95400.W0146	135-145	385	10*	1000
95400.W0166	155-165	385	10*	965
95400.W0196	180-195	470	10*	1500
95400.W0221	205-220	470	10*	1580
95400.W0246	230-245	568	10*	2250
95400.W0271	260-270	568	10*	2250
95400.W0300	280-300	680	15	5150
95400.W0320	300-320	695	15	5100
95400.W0345	320-345	695	15	5200
95400.W0375	350-375	735	15	5200
95400.W0400	380-400	770	15	6700
95400.W0500	480-500	988	20	13000



We specialise in the non-standard, supplying a range of DIN hand tools from socket wrenches to hook spanners, pin spanners to drill drifts, and beyond. These parts have various applications for DIN and other standard nuts and tooling. **The following pages cross reference the suitability of our hand tools to specific DIN sizings.**

Adjustable Hook Wrenches with Nose

Size	DIN 1804 M	DIN 981 M	DIN 981 KM	DIN 981 KML	DIN 11851-F DN	95420 and 95105
20 - 42	8 - 24	12 - 25	1 - 5	-	10	
45 - 90	26 - 60	30 - 65	6 - 13	-	15 - 50	
95 - 165	62 - 120	75 - 140	15 - 26	24 - 28	65 - 100	

Hook Wrenches

Size	DIN 1804 M	DIN 981 M	DIN 981 KM	DIN 981 KML	DIN 11851-F KMT	DIN 11851-F DN	DIN 70852 M	95100 and 95110
20 - 35	8 - 18	12 - 20	1 - 4	-	0 - 2	-	10 - 20	
35 - 60	20 - 38	25 - 40	5 - 8	-	3 - 7	10 - 20	22 - 42	
60 - 90	40 - 60	45 - 65	9 - 13	-	8 - 12	25 - 40	42 - 70	
90 - 155	58 - 110	70 - 130	14 - 24	24, 26	13 - 24	50 - 100	70 - 125	
155 - 230	105 - 170	120 - 190	24 - 36	26 - 38	24 - 38	125 - 150	125 - 190	

Hook Wrenches DIN 1810B

1810B Size	DIN 1816 M	776 Size	1810B Size	DIN 1816 M	776 Size	95151, 95152, 95450, 95154
16 - 18	6	16 - 22		72	95 - 155	
20 - 22	8	22 - 35	110 - 115	75	95 - 155	
25 - 28	10	22 - 35		80	95 - 155	
30 - 32	12	22 - 35	120 - 130	85	95 - 155	
	14	22 - 35		90	95 - 155	
	16	22 - 35	135 - 145	95	95 - 155	
34 - 36	18	22 - 35		100	95 - 155	
	20	35 - 60		105	95 - 155	
40 - 42	22	35 - 60	155 - 165	110	95 - 155	
	24	35 - 60		115	165 - 230	
	26	35 - 60		120	165 - 230	
45 - 50	28	35 - 60		125	165 - 230	
	30	35 - 60	180 - 195	130	165 - 230	
	32	35 - 60		140	165 - 230	
52 - 55	35	35 - 60	205 - 220	150	165 - 230	
	38	35 - 60		160	165 - 230	
58 - 62	40	60 - 90	230 - 245	170	165 - 230	
	42	60 - 90		180	-	
	45	60 - 90	260 - 270	190	-	
68 - 75	48	60 - 90		200	-	
	50	60 - 90				
	52	60 - 90				
80 - 90	55	60 - 90				
	58	60 - 90				
	60	60 - 90				
95 - 100	62	95 - 155				
	65	95 - 155				
	68	95 - 155				
	70	95 - 155				