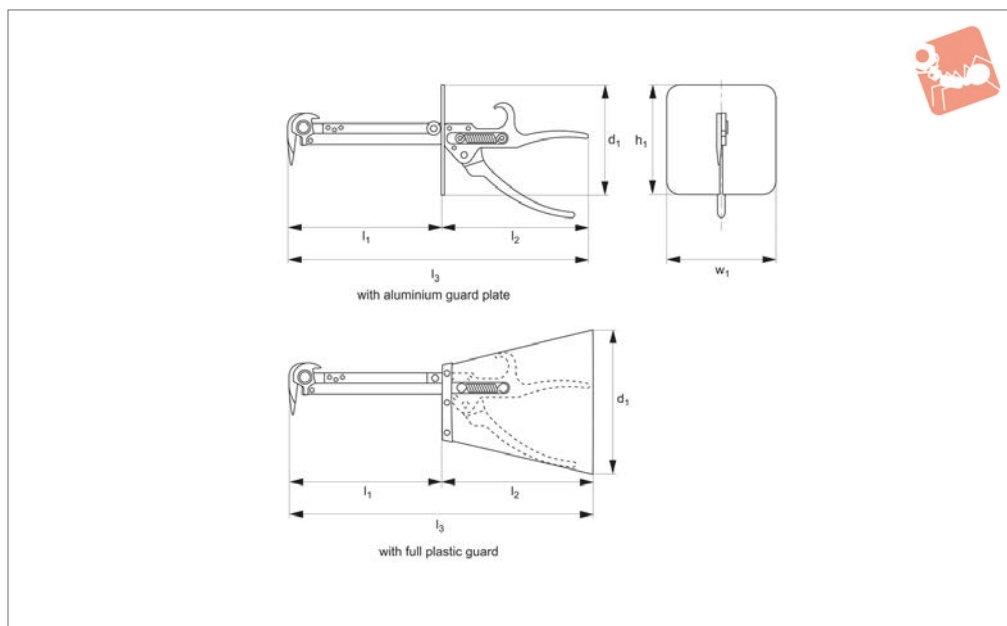




Chip Cutter and Hook with hand guard



97061

SPANNERS & HOOK SPANNERS

Material

Handle and cutter: steel.
Guard: plastic or aluminium.

Technical Notes

Max. capacity of cutter is clip section of

1,5mm² (e.g. 0,25mm x 6mm).

Tips

Part no. 97061 has added benefit of hook as well as cutter for improved removal of difficult to reach swarf/chips.

Important Notes

Take all necessary safety precautions when using this product in or around working machinery. If in doubt shut down machinery.

Order No.	Guard material	d ₁	h ₁ x w ₁	l ₁	l ₂	l ₃
97061.W1050	Aluminium	-	85x85	165	155	320
97061.W1060	Plastic	180	-	165	180	345

