

97104

SPANNERS & HOOK SPANNERS

Material

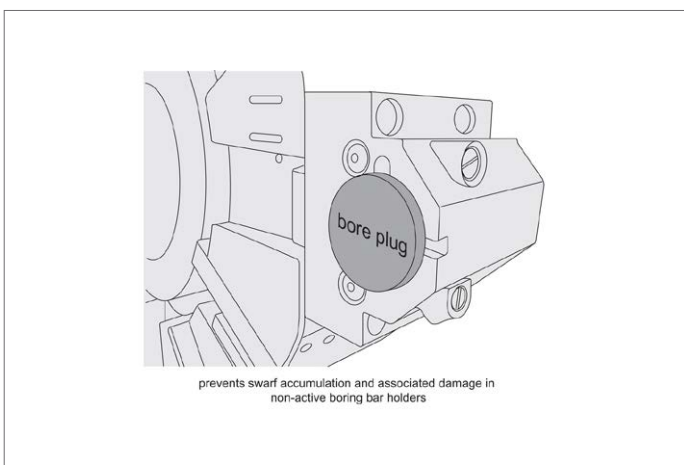
Body: aluminium (hard coat anodized).

coolant build up in boring bar holders, and as a result also prolongs tool holder life.

Technical Notes

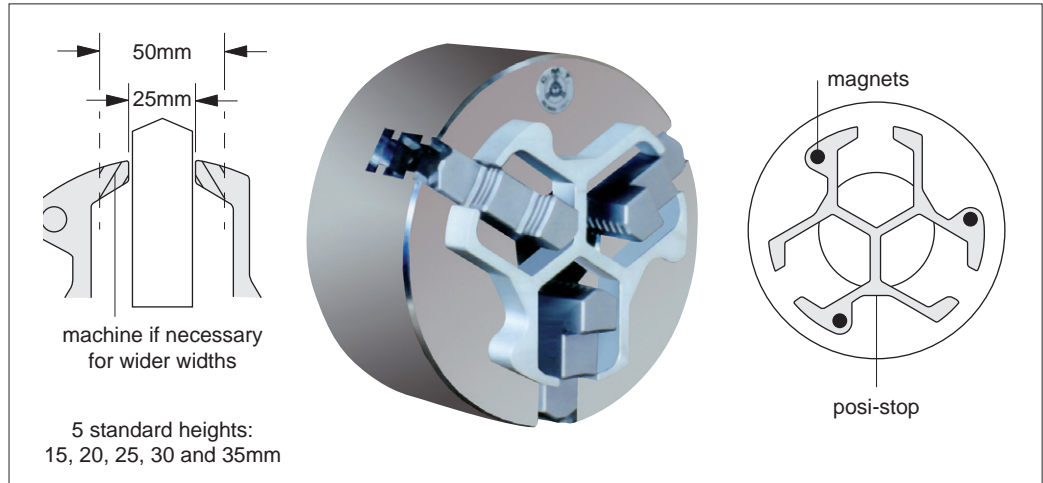
The bore plug is used to prevent swarf and

Order No.	d ₁	h ₁	l ₁	d ₂	Type
97104.W0025	25	6.4	68.5	36.5	Metric
97104.W0032	32	6.4	68.5	42.9	Metric
97104.W0040	40	6.4	68.5	49.2	Metric
97104.W0050	50	6.4	68.5	61.9	Metric
97104.W0100I	1"	0,25"	2,75"	1,44"	Inch
97104.W0125I	1-1/4"	0,25"	2,75"	1,69"	Inch
97104.W0150I	1-1/2"	0,25"	2,75"	1,94"	Inch
97104.W0200I	2"	0,25"	2,75"	2,44"	Inch





97100 Posi-Stops

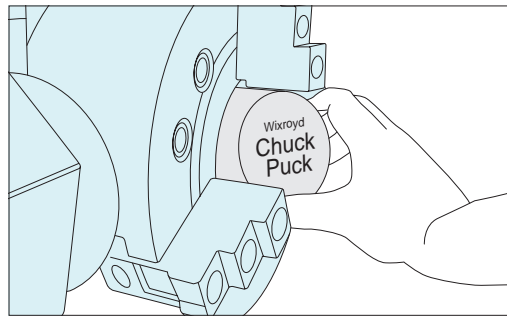


Chuck "Posi-stops" provide a quick and accurate method of moving workpieces away from the face of the chuck. Often used to enable the workpiece to be machined more closely to its extremity or for shorter workpieces.

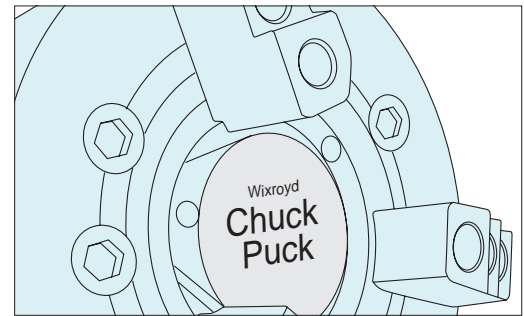
Each posi-stop has strong magnets on the bottom face so that the stop snaps firmly over the chuck jaws and onto the chuck face. There are five standard thicknesses; 15, 20, 25, 30 and 35mm (accuracy $\pm 0.01\text{mm}$) or they can be purchased as a set.

The posi-stops are made for a standard jaw width of 25mm but they can easily be opened up (mill or saw) to accommodate wider jaw widths.

97103 Chuck Puck

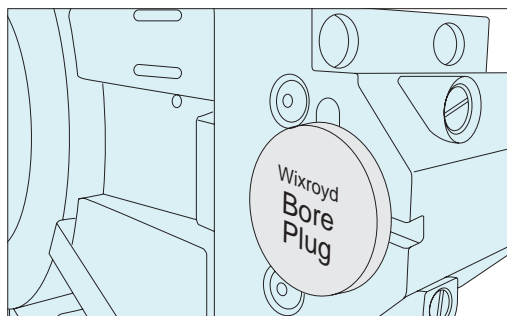


Chuck plug easy to install - just squeeze into the chuck hole.



Prevents build up of swarf and coolant, reduces vibration as well as wear of the chuck and spindle.

97104 Bore Plug



Prevents swarf accumulation and associated damage in non-active boring bar holders.