

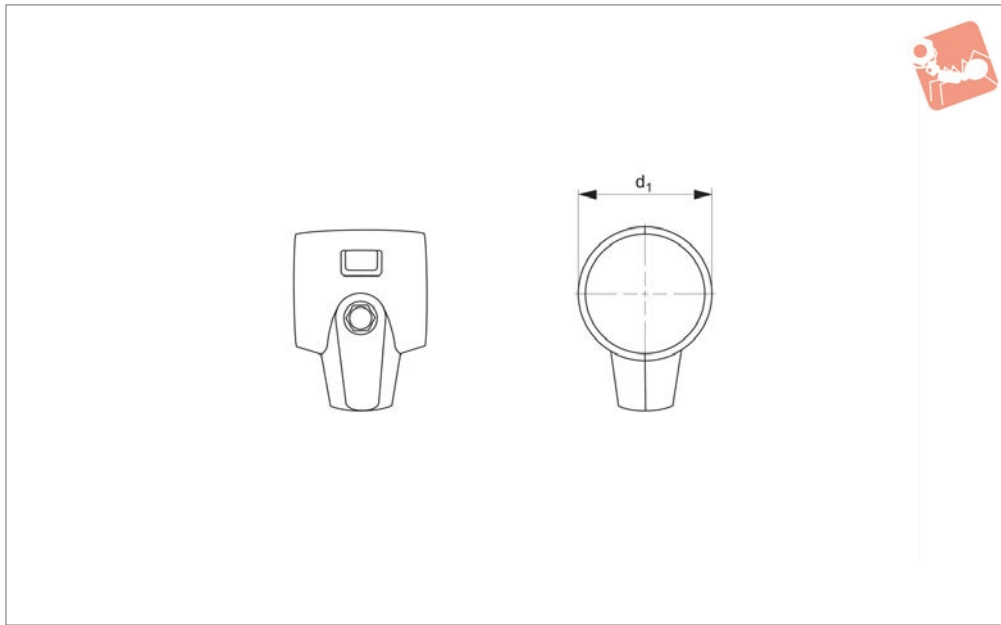


# Housing - for Simplex Mallets

light alloy - for no. 98021



## Mallets & Hammers



**98022**

MALLETS & HAMMERS

### Material

Light alloy housing (two parts).

Order No.	For mallet head dia. $d_1$	$d_1$
98022.W0131	30	30
98022.W0141	40	40
98022.W0151	50	50
98022.W0161	60	60



Application Selection Chart

MALLETS & HAMMERS

**Application selection chart**

TPE-soft	Composite rubber	TPE-mid	Plastic	Super plastic	Nylon	Alu	Copper	98301 wood	98301 steel	98301 fibre	98310	98321	98401	98330
Soft	Med	Med	Hard	Med	Hard	Hard	Hard							
Range of inserts for Simplex mallets 98001 to 98224								Range of mallet handle types						

**Construction applications**

Paving		•	•		•									
Floor tiling	•		•											
Curbstone setting / Masonry work		•			•									
Concrete form set-up		•		•										
Scaffold construction		•		•	•	•								
Tent and hall construction					•	•		•						
Gardening and landscaping		•			•									
Home construction		•	•											

**Metal-working industry applications**

Automotive assembly and repair work				•	•	•	•	•	•	•	•	•	•	•
Positioning of workpieces in a vice								•	•	•	•	•		
Straightening work						•		•	•	•	•			
Joining of workpieces						•		•	•	•	•		•	•
Repair and maintenance work			•				•	•	•	•	•		•	•
Car body work			•	•		•		•	•	•	•	•	•	•
Sheet metal working			•	•	•			•	•	•	•	•		•
Dent removal	•	•	•	•	•						•	•		•
Housing assembly					•	•		•	•	•		•	•	•
Mould construction						•	•							•
Assembly of sharp-edged workpieces					•	•		•	•	•				•

**Wood-working applications**

Furniture assembly	•		•										•	•
Window and door construction	•		•										•	•
Prefabricated house construction		•												
Joiner's work	•		•										•	•
Carpenter's work		•												
Floor parqueting / laminating													•	

**Agriculture and forestry applications**

Fence construction		•			•			•						
Wood splitting with wedge					•			•						
Maintenance and repair work on agricultural machinery						•		•						•