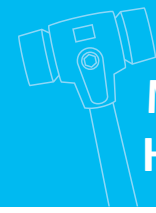
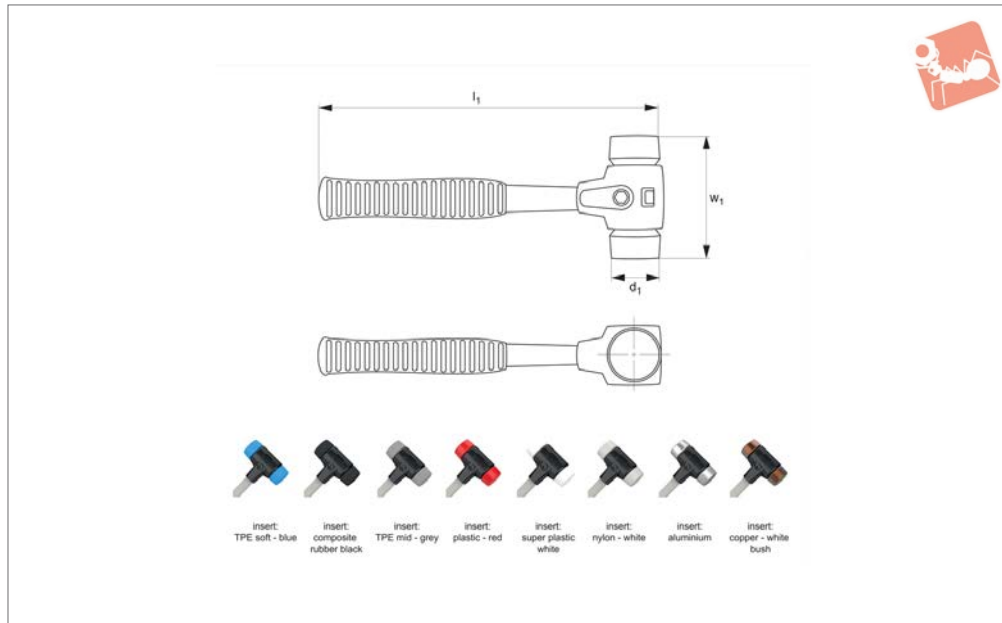




# Simplex Mallets - Complete reinforced cast iron housing - fibreglass handle



## Mallets & Hammers



**98101**

MALLETS & HAMMERS

### Material

Handle: fibreglass.  
Housing: reinforced cast iron.  
Inserts: see table.

98004.

### Tips

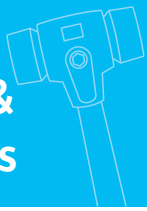
Simplex mallets are a flexible modular system with replaceable handle, housing and inserts. Suitable replacement items for Simplex Mallet 98101 are;

- handle no. 98103
- housing no. 98102
- inserts no. 98004

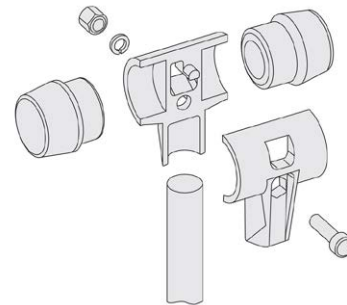
### Technical Notes

For full details of inserts see part no.

Order No.	Inserts	$\varnothing d_1$	$w_1$	$l_1$	Weight g
98101.W0130	TPE Soft - Blue	30	90	300	450
98101.W0140	TPE Soft - Blue	40	110	330	850
98101.W0150	TPE Soft - Blue	50	135	330	1190
98101.W0160	TPE Soft - Blue	60	145	410	1710
98101.W0230	Composite Rubber - Black	30	90	300	460
98101.W0240	Composite Rubber - Black	40	110	330	890
98101.W0250	Composite Rubber - Black	50	135	330	1250
98101.W0260	Composite Rubber - Black	60	145	410	1830
98101.W0280	Composite Rubber - Black	80	175	490	3420
98101.W0330	TPE Mid - Grey	30	90	300	450
98101.W0340	TPE Mid - Grey	40	110	330	850
98101.W0350	TPE Mid - Grey	50	135	330	1170
98101.W0360	TPE Mid - Grey	60	145	410	1710
98101.W0430	Plastic - Red	30	90	300	450
98101.W0440	Plastic - Red	40	110	330	870
98101.W0450	Plastic - Red	50	135	330	1230
98101.W0460	Plastic - Red	60	145	410	1800
98101.W0530	Superplastic - White	30	90	300	450
98101.W0540	Superplastic - White	40	110	330	860
98101.W0550	Superplastic - White	50	135	330	1200
98101.W0560	Superplastic - White	60	145	410	1750
98101.W0580	Superplastic - White	80	175	490	3240
98101.W0630	Nylon - White	30	90	300	460
98101.W0640	Nylon - White	40	110	330	880
98101.W0650	Nylon - White	50	135	330	1240
98101.W0660	Nylon - White	60	145	410	1820
98101.W0680	Nylon - White	80	175	490	3390
98101.W0730	Aluminium	30	90	300	520
98101.W0740	Aluminium	40	110	330	1000
98101.W0750	Aluminium	50	135	330	1490
98101.W0760	Aluminium	60	145	410	2240



Order No.	Inserts	$\varnothing d_1$	$w_1$	$l_1$	Weight g
98101.W0780	Aluminium	80	175	490	4290
98101.W0830	Copper - With Bush	30	90	300	690
98101.W0840	Copper - With Bush	40	110	330	1410



modular system houses different inserts, allowing the mallets to be customised for your applications



## Application Selection Chart

Application selection chart

														
TPE-soft	Com-posite rubber	TPE-mid	Plastic	Super plastic	Nylon	Alu	Copper	98301 wood	98301 steel	98301 fibre	98310	98321	98401	98330
Soft	Med	Med	Hard	Med	Hard	Hard	Hard							
Range of inserts for Simplex mallets 98001 to 98224								Range of mallet handle types						

### Construction applications

	TPE-soft	Com-posite rubber	TPE-mid	Plastic	Super plastic	Nylon	Alu	Copper	98301 wood	98301 steel	98301 fibre	98310	98321	98401	98330
Paving		•	•		•										
Floor tiling	•		•												
Curbstone setting / Masonry work		•			•										
Concrete form set-up		•		•											
Scaffold construction		•		•	•	•									
Tent and hall construction					•	•			•						
Gardening and landscaping		•			•										
Home construction		•	•												

### Metal-working industry applications

	TPE-soft	Com-posite rubber	TPE-mid	Plastic	Super plastic	Nylon	Alu	Copper	98301 wood	98301 steel	98301 fibre	98310	98321	98401	98330
Automotive assembly and repair work				•	•	•	•	•	•	•	•	•	•	•	•
Positioning of workpieces in a vice									•	•	•	•	•		
Straightening work							•		•	•	•	•			
Joining of workpieces						•			•	•	•	•		•	•
Repair and maintenance work				•				•	•	•	•	•		•	•
Car body work				•	•		•		•	•	•	•	•		•
Sheet metal working				•	•	•			•	•	•	•	•		•
Dent removal	•	•		•	•	•						•	•		•
Housing assembly					•	•			•	•	•		•	•	•
Mould construction						•	•								•
Assembly of sharp-edged workpieces					•	•			•	•	•				•

### Wood-working applications

	TPE-soft	Com-posite rubber	TPE-mid	Plastic	Super plastic	Nylon	Alu	Copper	98301 wood	98301 steel	98301 fibre	98310	98321	98401	98330
Furniture assembly	•		•										•		•
Window and door construction	•		•										•		•
Prefabricated house construction		•													
Joiner's work	•		•										•		•
Carpenter's work		•													
Floor parqueting / laminating													•		

### Agriculture and forestry applications

	TPE-soft	Com-posite rubber	TPE-mid	Plastic	Super plastic	Nylon	Alu	Copper	98301 wood	98301 steel	98301 fibre	98310	98321	98401	98330
Fence construction		•				•			•						
Wood splitting with wedge					•				•						
Maintenance and repair work on agricultural machinery						•			•						•