

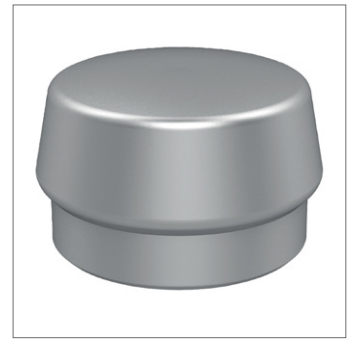
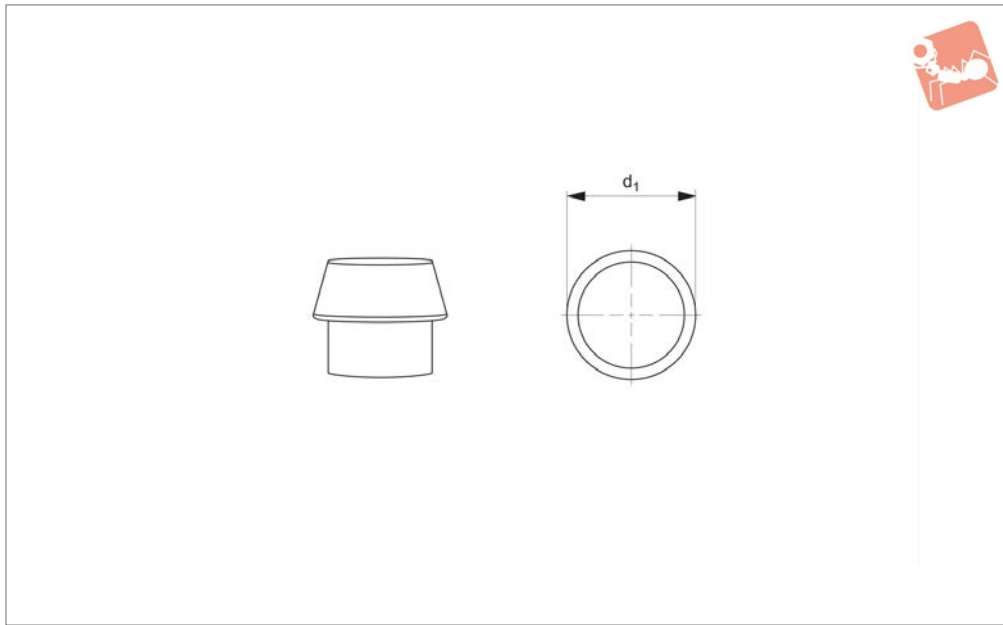


Inserts - for Simplex Sledge Hammers

for no. 98221



Mallets & Hammers



98224

MALLETS & HAMMERS

Material
Aluminium.

Order No.
98224.W0788

For mallet head dia. d_1
80

Insert type
Aluminium



Application Selection Chart

MALLETS & HAMMERS

Application selection chart

TPE-soft	Composite rubber	TPE-mid	Plastic	Super plastic	Nylon	Alu	Copper	98301 wood	98301 steel	98301 fibre	98310	98321	98401	98330
Soft	Med	Med	Hard	Med	Hard	Hard	Hard							
Range of inserts for Simplex mallets 98001 to 98224								Range of mallet handle types						

Construction applications

Paving		•	•		•										
Floor tiling	•		•												
Curbstone setting / Masonry work		•			•										
Concrete form set-up		•		•											
Scaffold construction		•		•	•	•									
Tent and hall construction					•	•		•							
Gardening and landscaping		•			•										
Home construction		•	•												

Metal-working industry applications

Automotive assembly and repair work				•	•	•	•	•	•	•	•	•	•	•	•
Positioning of workpieces in a vice								•	•	•	•	•			
Straightening work						•		•	•	•	•				
Joining of workpieces						•		•	•	•	•			•	•
Repair and maintenance work				•			•	•	•	•	•			•	•
Car body work				•	•		•	•	•	•	•	•	•	•	•
Sheet metal working				•	•	•		•	•	•	•	•	•		•
Dent removal	•	•		•	•	•					•	•	•	•	•
Housing assembly					•	•		•	•	•		•	•	•	•
Mould construction						•	•								•
Assembly of sharp-edged workpieces					•	•		•	•	•					•

Wood-working applications

Furniture assembly	•		•										•		•
Window and door construction	•		•										•		•
Prefabricated house construction		•													
Joiner's work	•		•										•		•
Carpenter's work		•													
Floor parqueting / laminating													•		

Agriculture and forestry applications

Fence construction		•			•			•							
Wood splitting with wedge					•			•							
Maintenance and repair work on agricultural machinery						•		•							•