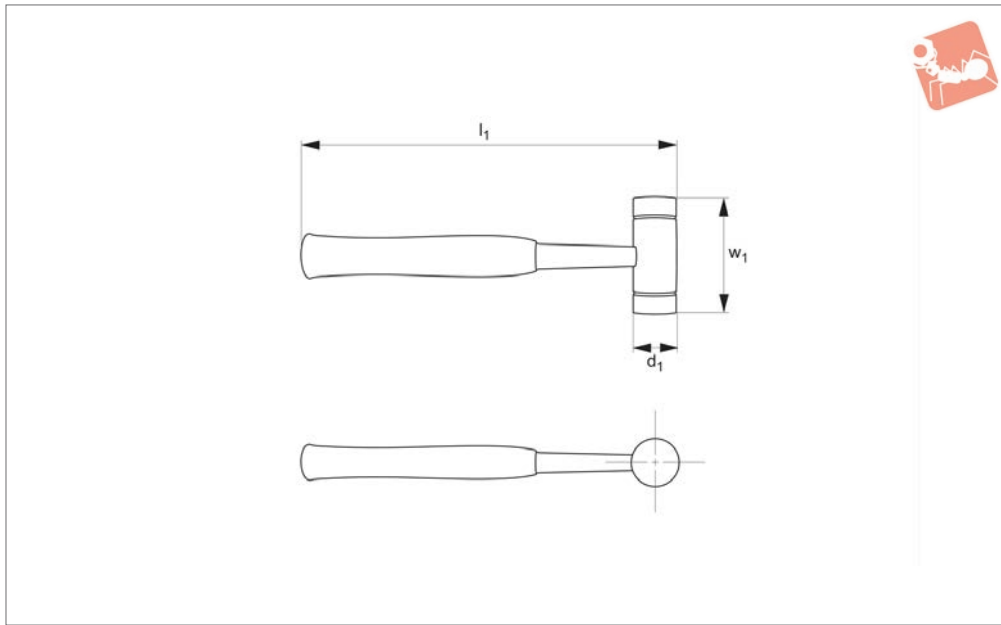




Combination Hammer - Complete steel housing and handle



Mallets & Hammers



98330

MALLETS & HAMMERS

Material

Head: steel.
Handle: steel tube, with rubber grip.
Hammer faces: 1 x heat treated steel, induction hardened. 1 x nylon, white.

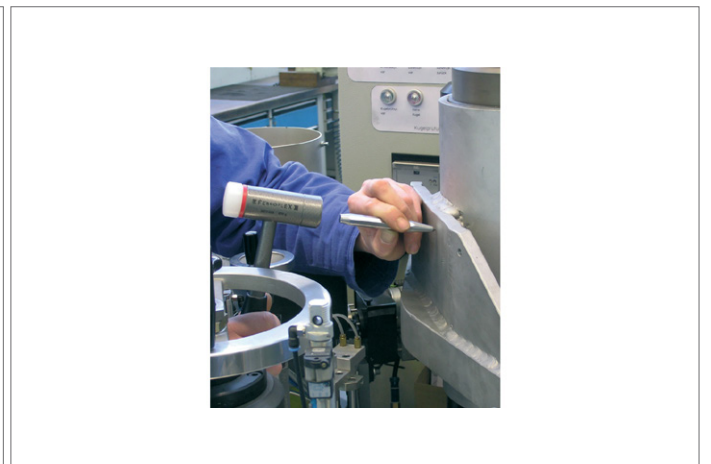
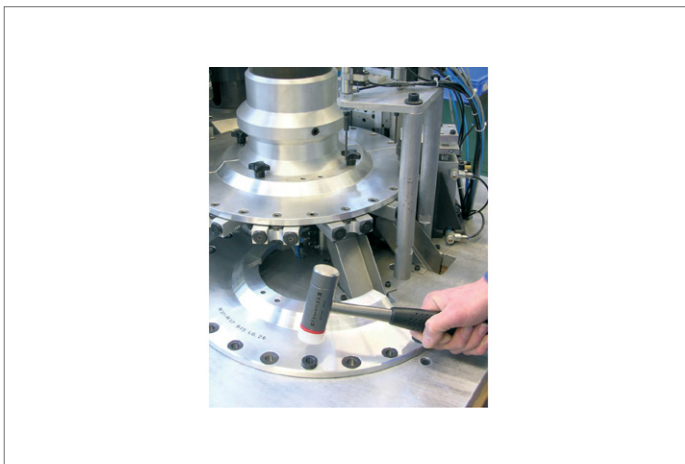
Technical Notes

Nylon insert can be replaced, see replacement part nos. 98363.W0480 and 98363.W0482.

Tips

For replacement nylon insert see; - inserts no. 98363

Order No.	$\varnothing d_1$	w_1	l_1	Weight g
98330.W0030	30	104	290	600
98330.W0035	35	104	295	800





Application Selection Chart

MALLETS & HAMMERS

Application selection chart

TPE-soft	Composite rubber	TPE-mid	Plastic	Super plastic	Nylon	Alu	Copper	98301 wood	98301 steel	98301 fibre	98310	98321	98401	98330
Soft	Med	Med	Hard	Med	Hard	Hard	Hard							
Range of inserts for Simplex mallets 98001 to 98224								Range of mallet handle types						

Construction applications

Paving		•	•		•										
Floor tiling	•		•												
Curbstone setting / Masonry work		•			•										
Concrete form set-up		•		•											
Scaffold construction		•		•	•	•									
Tent and hall construction					•	•		•							
Gardening and landscaping		•			•										
Home construction		•	•												

Metal-working industry applications

Automotive assembly and repair work				•	•	•	•	•	•	•	•	•	•	•	•
Positioning of workpieces in a vice								•	•	•	•	•			
Straightening work						•		•	•	•	•				
Joining of workpieces						•		•	•	•	•			•	•
Repair and maintenance work				•			•	•	•	•	•			•	•
Car body work				•	•		•	•	•	•	•	•	•	•	•
Sheet metal working				•	•	•		•	•	•	•	•	•		•
Dent removal	•	•		•	•	•					•	•	•	•	•
Housing assembly					•	•		•	•	•			•	•	•
Mould construction						•	•								•
Assembly of sharp-edged workpieces					•	•		•	•	•					•

Wood-working applications

Furniture assembly	•		•										•		•
Window and door construction	•		•										•		•
Prefabricated house construction		•													
Joiner's work	•		•										•		•
Carpenter's work		•													
Floor parqueting / laminating													•		

Agriculture and forestry applications

Fence construction		•			•			•							
Wood splitting with wedge					•			•							
Maintenance and repair work on agricultural machinery						•		•							•