

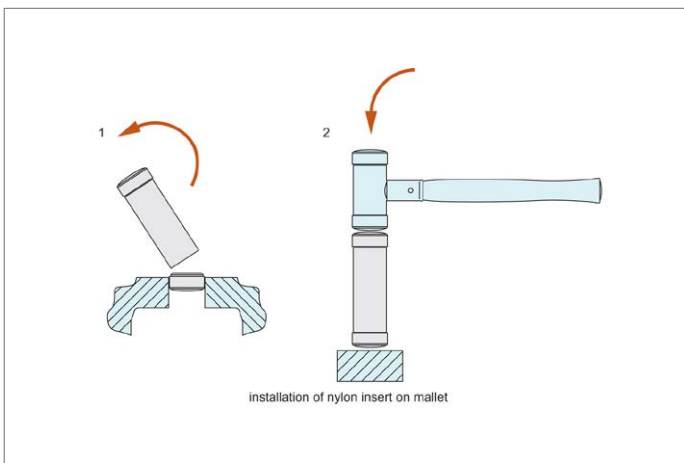
98422

MALLETS & HAMMERS

Material

Insert: nylon, white.

Order No.	Type	For mallet head d_1
98422.W0120	Nylon - White	20
98422.W0125	Nylon - White	25
98422.W0130	Nylon - White	30
98422.W0135	Nylon - White	35
98422.W0140	Nylon - White	40
98422.W0145	Nylon - White	45
98422.W0150	Nylon - White	50





Application Selection Chart

MALLETS & HAMMERS

Application selection chart

TPE-soft	Composite rubber	TPE-mid	Plastic	Super plastic	Nylon	Alu	Copper	98301 wood	98301 steel	98301 fibre	98310	98321	98401	98330
Soft	Med	Med	Hard	Med	Hard	Hard	Hard							
Range of inserts for Simplex mallets 98001 to 98224								Range of mallet handle types						

Construction applications

Paving		•	•		•										
Floor tiling	•		•												
Curbstone setting / Masonry work		•			•										
Concrete form set-up		•		•											
Scaffold construction		•		•	•	•									
Tent and hall construction					•	•		•							
Gardening and landscaping		•			•										
Home construction		•	•												

Metal-working industry applications

Automotive assembly and repair work				•	•	•	•	•	•	•	•	•	•	•	•
Positioning of workpieces in a vice								•	•	•	•	•			
Straightening work						•		•	•	•	•				
Joining of workpieces						•		•	•	•	•			•	•
Repair and maintenance work				•			•	•	•	•	•			•	•
Car body work				•	•		•	•	•	•	•	•	•	•	•
Sheet metal working				•	•	•		•	•	•	•	•	•		•
Dent removal	•	•		•	•	•					•	•	•	•	•
Housing assembly					•	•		•	•	•			•	•	•
Mould construction						•	•								•
Assembly of sharp-edged workpieces					•	•		•	•	•					•

Wood-working applications

Furniture assembly	•		•										•		•
Window and door construction	•		•										•		•
Prefabricated house construction		•													
Joiner's work	•		•										•		•
Carpenter's work		•													
Floor parqueting / laminating													•		

Agriculture and forestry applications

Fence construction		•			•			•							
Wood splitting with wedge					•			•							
Maintenance and repair work on agricultural machinery						•		•							•