

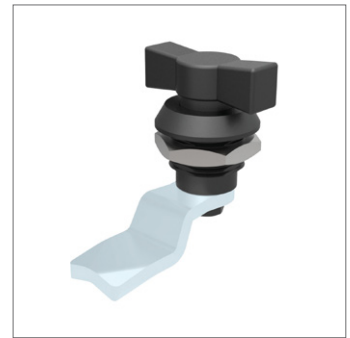
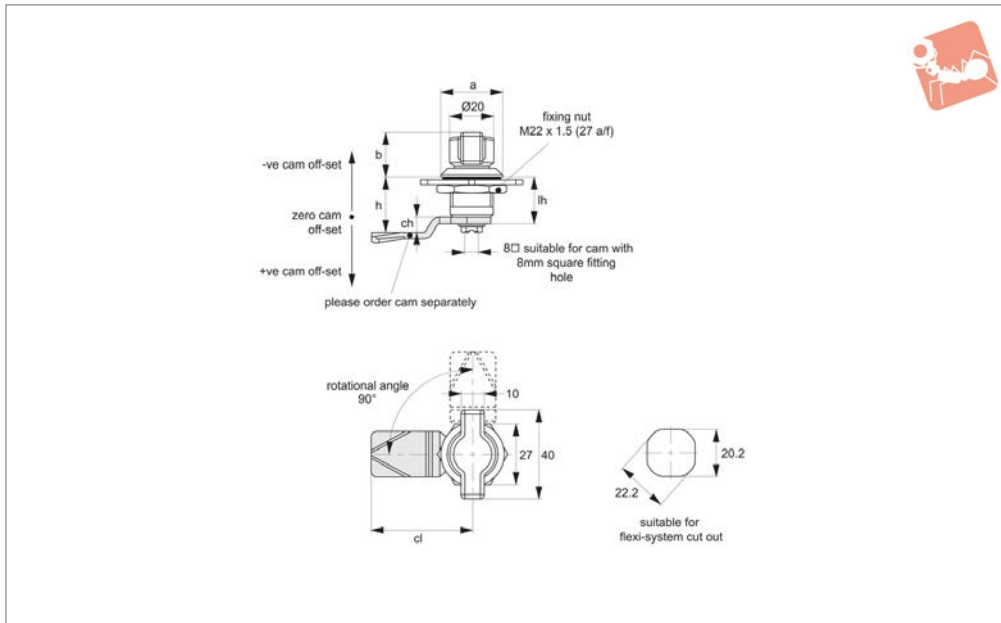


# Cam Latches - Flexi-System

fixed grip - wing handle - ergonomic



## Cam Latches



## A1181

CAM LATCHES

### Material

Body: die cast zinc.  
 Handle: black plastic (PA6).  
**Not supplied:** CAM - order separately.

### Technical Notes

Order cam separately.  
**Cams:** see suitable cam A0203, A0224 and A0240. Select „without projection“ cam type.

Dimensions ch and cl relate to cam. Use formula to calculate ch (required cam off-set), and refer to cam selection chart;  
 $ch = h - lh$  where;  
 $ch$  = required cam off-set/height.  
 $h$  = grip length (distance between inside of latch face and front of cam).  
 $lh$  = body length of cam latch/lock to be used (see product table below).

**Rods & Guides:** to achieve 3-point latching - A0303, A0321, A0325.

### Tips

Wing actuates lock, and also acts as a knob/handle. Quarter-turn opening or closing.

### Important Notes

Sold subject to pack quantity.

| Order No.    | Body finish   | Handle        | a  | b  | lh |
|--------------|---------------|---------------|----|----|----|
| A1181.AW0110 | Chrome Plated | Black Plastic | 28 | 20 | 18 |
| A1181.AW0210 | Black Coated  | Black Plastic | 28 | 20 | 18 |
| A1181.AW0510 | Black Plastic | Black Plastic | 28 | 20 | 18 |