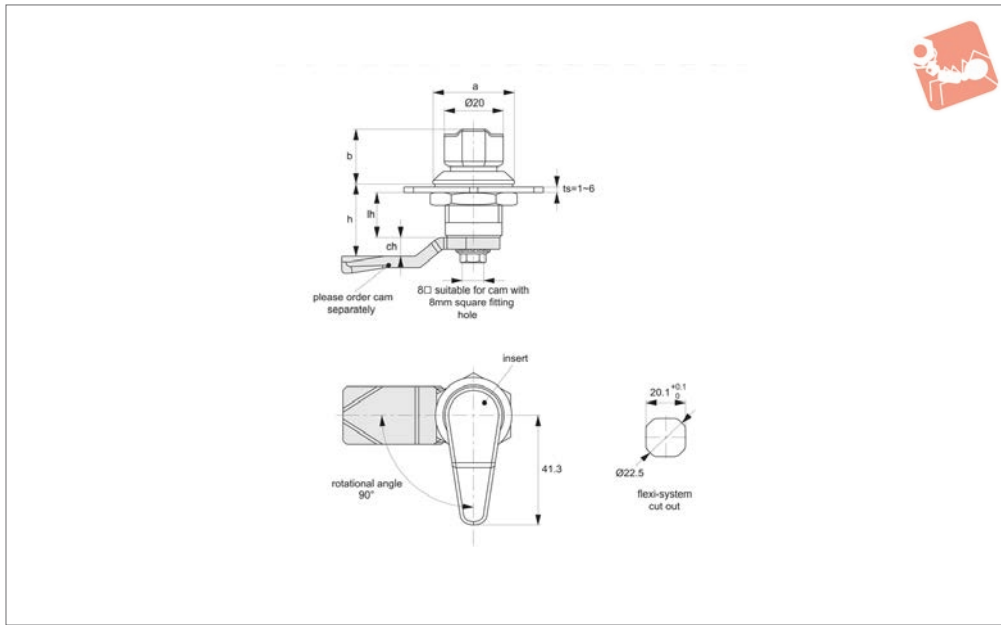




# Cam Latches - Flexi-System

fixed grip - finger handle



## A1203

CAM LATCHES

### Material

**Type one:** Body: die cast zinc, black powder coated.

Handle: polyamide, black.

**Type two:** Body & handle: polyamide, black.

### Technical Notes

Order cam separately.

**Cams:** see suitable cam A0203, A0224 and A0240. Select „without projection“ cam

type.

Dimensions ch and cl relate to cam. Use formula to calculate ch (required cam off-set), and refer to cam selection chart;

**ch = h - lh** where;

**ch** = required cam off-set/height.

**h** = grip length (distance between inside of latch face and front of cam).

**lh** = body length of cam latch/lock to be used (see product table below).

**Rods & Guides:** to achieve 3-point latching - A0303, A0321, A0325.

### Tips

Finger knob actuates lock, and also acts as a handle.

### Important Notes

Sold subject to pack quantity.

Order No.	Type	a	b	lh
A1203.AW0318	One Zinc	28	18	18
A1203.AW0328	One Zinc	28	18	28
A1203.AW0362	One Zinc	28	18	62
A1203.AW0518	Two Polyamide	28	18	18
A1203.AW0536	Two Polyamide	28	18	36