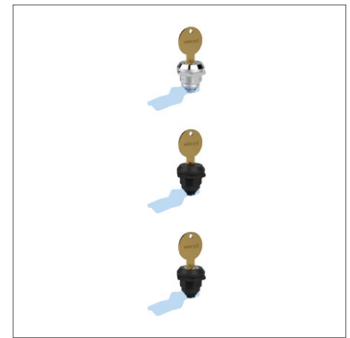
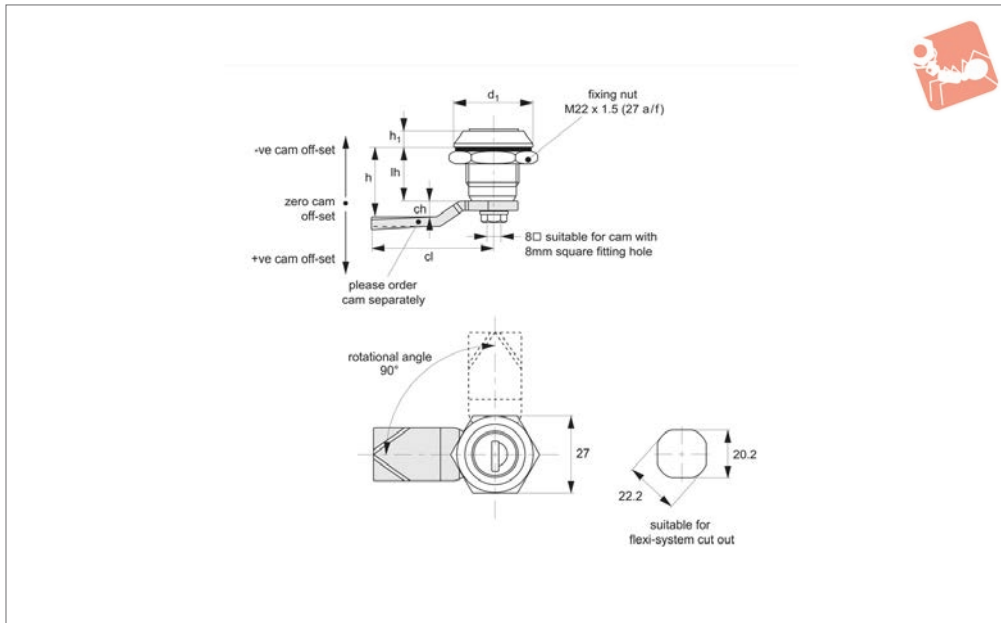




Cam Locks - Flexi-System

fixed grip - zinc



A2001

CAM LOCKS

Material

Type one & Two: Body: die cast zinc, finished in chrome plate or black powder coating.
 Cylinder lock: die cast zinc, chrome plated.
Type Three: Body: polyamide.
 Cylinder lock: die cast zinc, chrome plated.
Supplied with: Keys: two per lock.
Not supplied: CAM - order separately.

Technical Notes

Order cam separately.

Cams: see suitable cam A0203, A0224 and A0240. Select „without projection“ cam type.
 Dimensions ch and cl relate to cam. Use formula to calculate ch (required cam off-set), and refer to cam selection chart;
 $ch = h - lh$ where;
 ch = required cam off-set/height.
 h = grip length (distance between inside of latch face and front of cam).
 lh = body length of cam latch/lock to be

used (see product table below).

Rods & Guides: to achieve 3-point latching - A0303, A0321, A0325.

Tips

Quarter turn opening or closing.
 Universal left and right application.

Important Notes

Sold subject to pack quantity.

Order No.	Type	Body finish	Key type	d ₁	h ₁	lh
A2001.AW0010	One	Chrome Plated	Keyed Alike	28.0	6	20
A2001.AW0310	Two	Black Coated	Keyed Alike	28.0	6	18
A2001.AW0320	Two	Black Coated	Keyed to Differ	28.0	6	18
A2001.AW0330	Two	Black Coated	Euro	30.0	6	18
A2001.AW0510	Three	Plastic, Black	Keyed Alike	28.0	6	18
A2001.AW0520	Three	Plastic, Black	Keyed to Differ	28.0	6	18