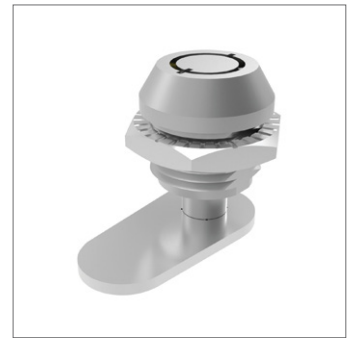
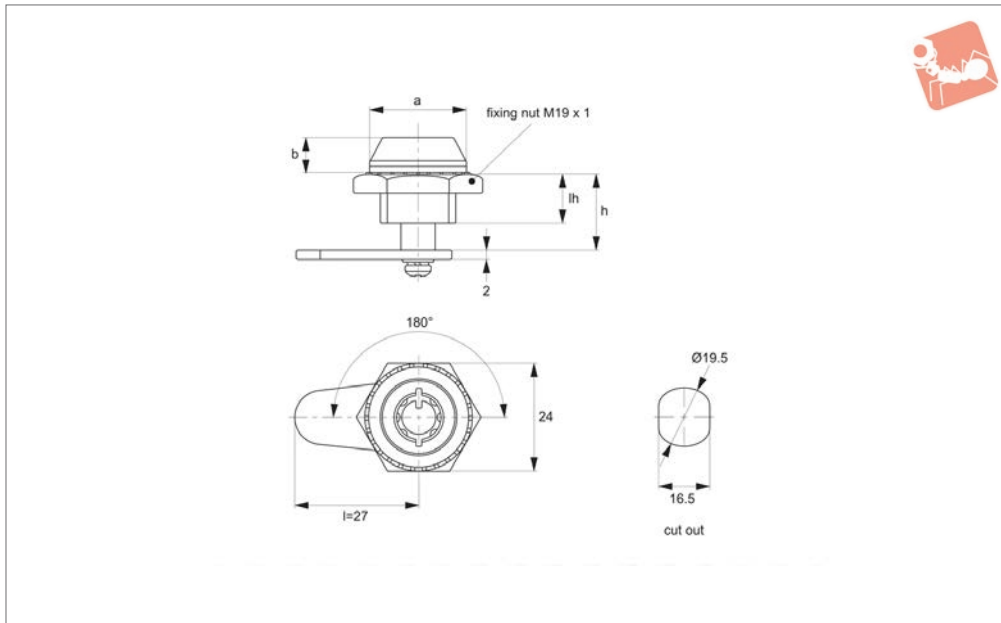




Cam Lock - Radial Key fixed grip - zinc



Cam Locks



A2342

CAM LOCKS

Material

Body & insert: zinc die cast, bright chrome plated.

Supplied with: Cam: steel, white zinc

plated. Keys: two per lock.

key offers extra security.

Tips

180° rotation opening and closing. Radial

Order No.	Key type	a	b	h	lh
A2342.AW0022	Radial Key	22.0	7.5	19	13