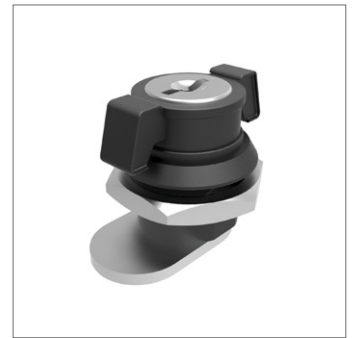
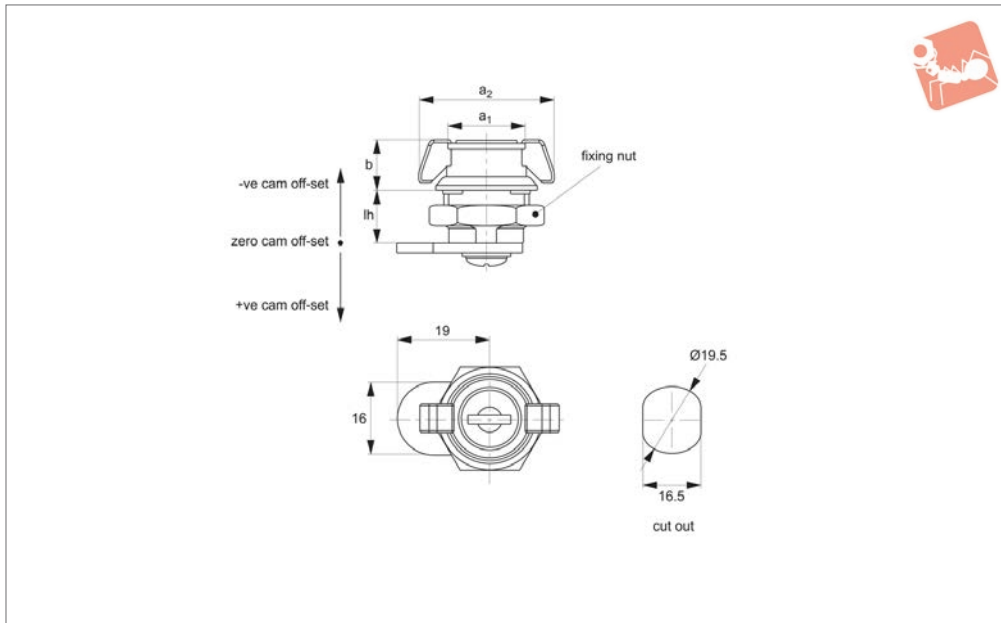




Mini Cam Lock

wing handle - fixed grip - short cam



A2393

CAM LOCKS

Material

Housing and insert: die cast zinc.
Cam: steel.

Supplied With: cam and keys.

Tips

Quarter-turn opening or closing. Wing knob acts as grip/handle.

Important Notes

Sold subject to pack qty.

Order No.	Body finish	a ₁	a ₂	b	lh
A2393.AW0010	Chrome Plated	17	29.5	11	11
A2393.AW0020	Black Coated	17	29.5	11	11