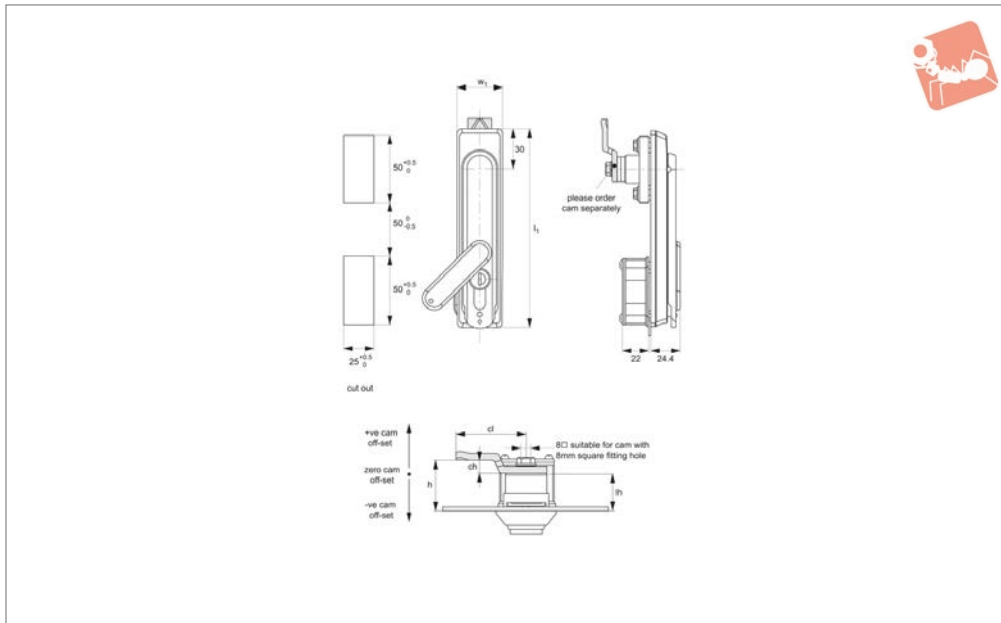




Swing Handles - Cam Control

40mm euro cylinder lock - dust cover

Swing Handles



B1082

SWING HANDLES

Material

Type One: Body & Handle: die cast zinc, black powder coated.

Type Two: Body: Polyamide PA6, black. Handle: die cast zinc, black powder coated. Cylinder lock: die cast zinc, chrome plated.

Supplied with: Keys: two per lock.

Not supplied: Cam: order separately.

Technical Notes

Order cam separately.

Cams: see suitable cam A0203, A0224 and

A0240. Select „without projection“ cam type.

Dimensions ch and cl relate to cam. Use formula to calculate ch (required cam off-set), and refer to cam selection chart;

ch = h - lh where;

ch = required cam off-set/height.

h = grip length (distance between inside of latch face and front of cam).

lh = body length of cam latch/lock to be used (see product table below).

Rods & Guides: to achieve 3-point latching - A0303, A0321, A0325.

Tips

90° degree handle rotation combines with rod latch to open or close. All die cast metal construction provides higher strength than standard models. Ideal for electrical cabinets, telecom racks or enclosures max. panel thickness of 1 to 4mm. For use inside of cabinet gasket. Universal left/right.

Order No.	Type	Body	Lock type	Handle	Padlockable	Key type	l ₁	w ₁	lh
B1082.AW0010	One	Zinc	40 Euro	Zinc	No	Keyed Alike	160	34	19
B1082.AW0020	One	Zinc	40 Euro	Zinc	Yes	Keyed Alike	160	34	19
B1082.AW0310	Two	Polyamide	40 Euro	Zinc	No	Keyed Alike	160	34	19
B1082.AW0320	Two	Polyamide	40 Euro	Zinc	Yes	Keyed Alike	160	34	19

