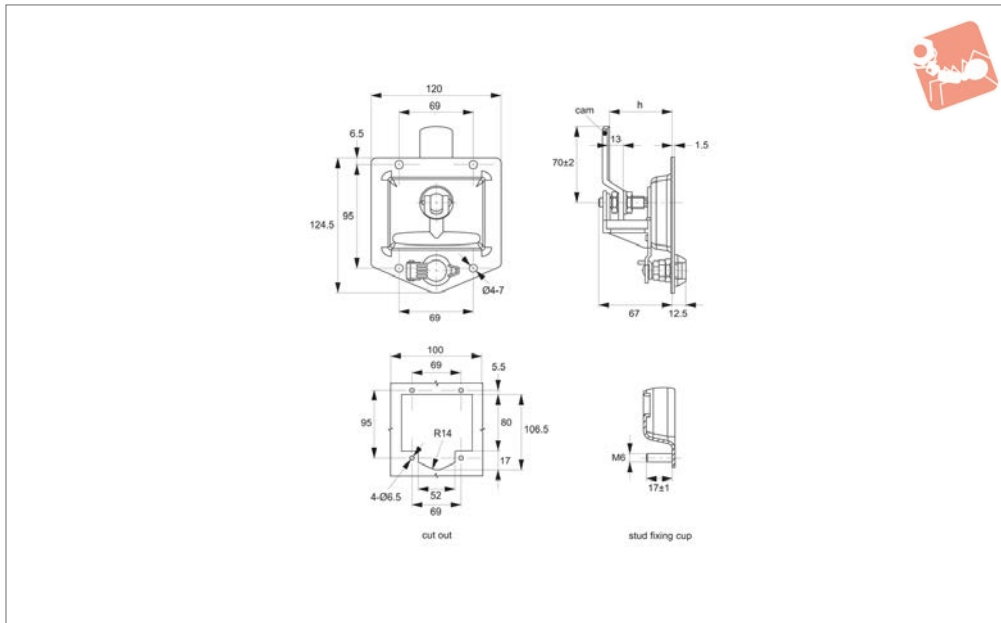




Cam Latch - Flush T-handle

vertical - heavy duty - adjustable grip - standard

Paddle Latches



B4588

PADDLE LATCHES

Material

Body: stainless steel, AISI 303.
 Handle: die cast zinc, chrome plated.
 Cylinder lock: die cast zinc, chrome plated.
Supplied with: Keys: two per lock.
 Cam: stainless steel, AISI 303.

(not supplied), for front mounting.
 Stud fixing type has 4 off M 6 welded studs for near mounting with M 6 nuts (not supplied).

locked.
 For use inside of cabinet gasket.

Technical Notes

Hole fixing type requires 4 off M 6 screws

Tips

Ideal for electricity sub-stations, HGVs and other road side vehicles.
 T-handle is in the vertical position when

Order No.	Mounting type	Lock type	Key type	h grip range
B4588.AW0010	Hole Fixing	Std. Cylinder	Keyed Alike	48 - 58
B4588.AW0020	Stud Fixing	Std. Cylinder	Keyed Alike	48 - 58



cut out	Cylinder Profile		Body		IP Rating	Locking System			Use		Cam Type				
	Std. Cylinder Lock	40mm Euro Padlockable Insert Driver	Die-Cast Zinc	Polyamide Plastic		Stainless Steel	Aluminium	1-point	2-point	3-point		Inside Gasketing	Outside Gasketing		
	Std. Cylinder Lock	40mm Euro Padlockable Insert Driver	Die-Cast Zinc	Polyamide Plastic	Stainless Steel	Aluminium	IP Rating	1-point	2-point	3-point	Inside Gasketing	Outside Gasketing	With Projection	W/O Projection	Cam Type
	✓		✓				54	✓	✓	✓	✓			✓	
Cams: A0203, A0224, A0240 - Keys: Supplied															

cut out	Cylinder Profile		Body		IP Rating	Locking System			Use		Cam Type				
	Std. Cylinder Lock	40mm Euro Padlockable Insert Driver	Die-Cast Zinc	Polyamide Plastic		Stainless Steel	Aluminium	1-point	2-point	3-point		Inside Gasketing	Outside Gasketing		
	Std. Cylinder Lock	40mm Euro Padlockable Insert Driver	Die-Cast Zinc	Polyamide Plastic	Stainless Steel	Aluminium	IP Rating	1-point	2-point	3-point	Inside Gasketing	Outside Gasketing	With Projection	W/O Projection	Cam Type
	✓		✓								✓	✓			✓
Cams: Supplied - Keys: Supplied															
	✓		✓					✓			✓	✓			✓
Cams: Supplied - Keys: Supplied															
	✓		✓					✓			✓	✓			✓
Cams: Supplied - Keys: Supplied															

cut out	Cylinder Profile		Body		IP Rating	Locking System			Use		Cam Type				
	Std. Cylinder Lock	40mm Euro Padlockable Insert Driver	Die-Cast Zinc	Polyamide Plastic		Stainless Steel	Aluminium	1-point	2-point	3-point		Inside Gasketing	Outside Gasketing		
	Std. Cylinder Lock	40mm Euro Padlockable Insert Driver	Die-Cast Zinc	Polyamide Plastic	Stainless Steel	Aluminium	IP Rating	1-point	2-point	3-point	Inside Gasketing	Outside Gasketing	With Projection	W/O Projection	Cam Type
	✓			✓				✓			✓	✓			✓
Cams: Supplied - Keys: Supplied															



Models available



Cam Latch - Flush T-Handle with rod control for multi-point latching



Cam Latch - Flush T-Handle for single point latching



Cam Latch - Flush T-Handle with adjustable grip



Cam Latch - Concealed T-Handle for electricity panels

Variety of materials

- Steel.
- Stainless steel.
- Aluminium.
- Polyamide.

Actuation/locking method

- Blank, without lock.
- Standard cylinder Lock.
- Padlockable T-Handle actuation.

Features

- Heating & ventilation.
- Generators.
- Compressors.
- Machine covers.

- Electric panels.
- Off-road equipment.
- Industrial transport.
- Special equipment cases.

Applications