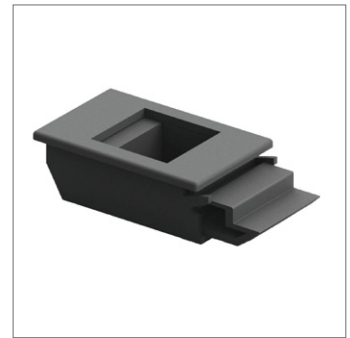
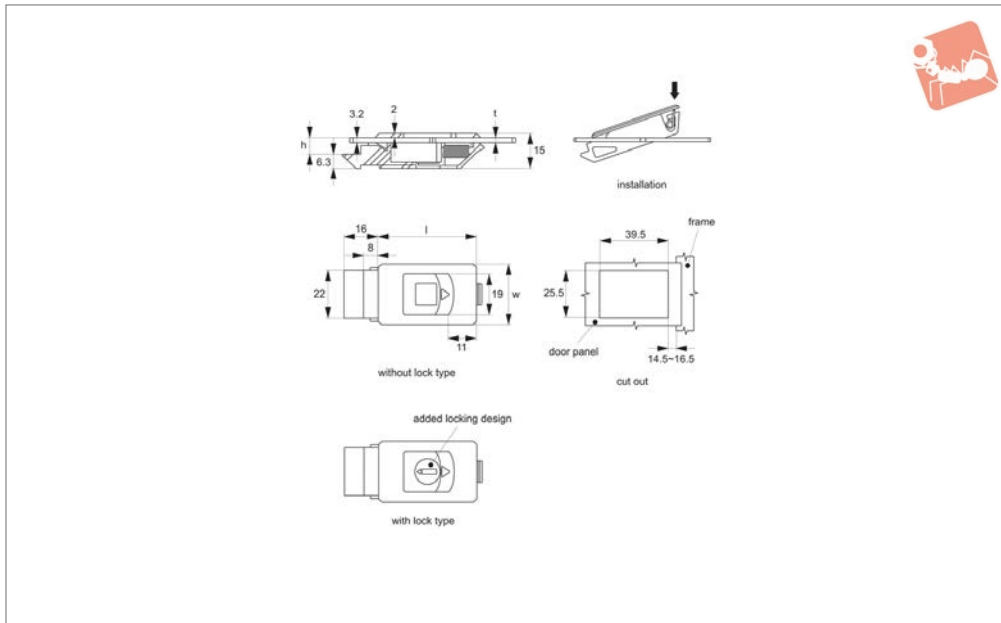




# Slide Latches - Flush snap-in installation - release catch

## Catches & Latches



**E2031**

CATCHES & LATCHES

**Material**

ABS plastic and stainless steel spring.

Uniquely different from our standard slide latch E2021 in the addition of an internal release catch - hence this latch does not slide over surface in order to actuate.

Suitable for panel thickness 1 - 2 mm.

**Technical Notes**

Ideal for small metal machinery covers.

Order No.	Colour	Type	Panel thickness min.   max.	h grip length	l	w
E2031.AW0010	Grey	W/o Lock	1-2	6.7	45	28
E2031.AW0020	Black	W/o Lock	1-2	6.7	45	28
E2031.AW0310	Grey	With Lock	1-2	6.7	45	28
E2031.AW0320	Black	With Lock	1-2	6.7	45	28

