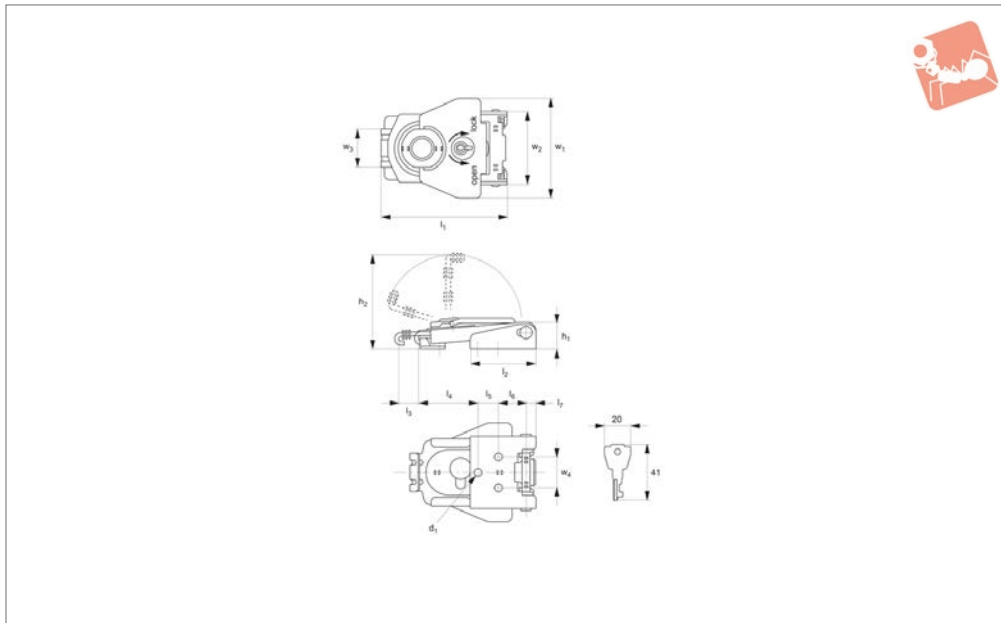




# Draw Latches with Lock

stainless steel

## Draw Latches



### J0150

DRAW LATCHES

#### Material

All parts from stainless steel, AISI 304, polished.

Single key supplied.

Order No.	$l_1$	$h_1$	$w_1$	$d_1$	$h_2$	$l_2$	$l_3$ stroke	$l_4$	$l_5$	$l_6$	$l_7$	$w_2$	$w_3$	$w_4$	Weight g
J0150.AC0030	65	13	52	4.2	48	34.5	10	34	11	14.4	5	38	20	16	105