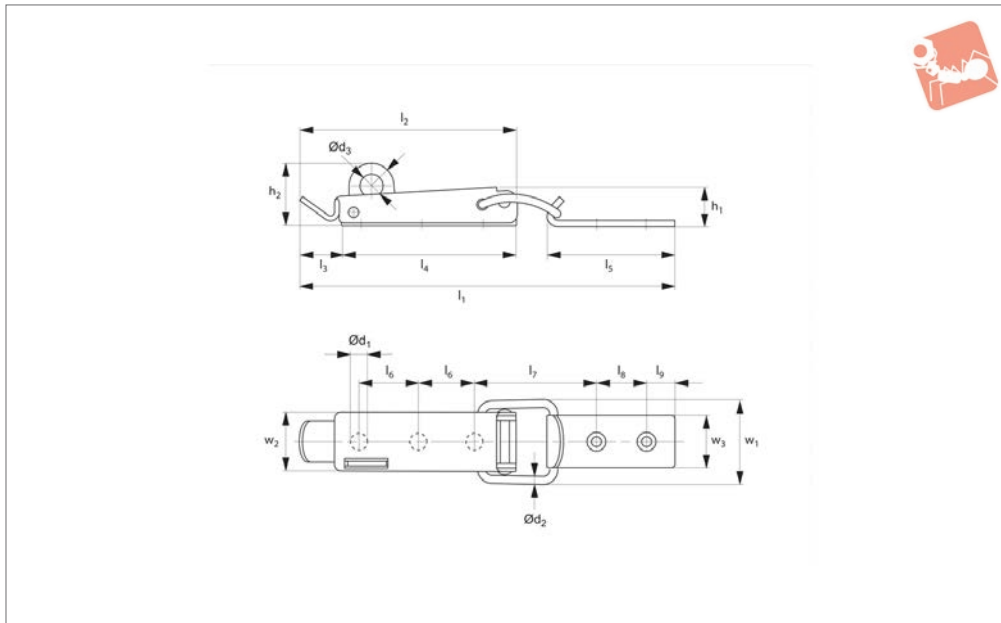
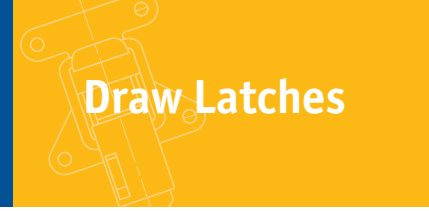




Toggle Latches

with padlock shackle, **stainless steel**

Draw Latches



J0420

DRAW LATCHES

Material

Steel, Fe P02 + P12, UNI5866, Zinc plated.
Or stainless steel AISI 304, UNI x5crNi.

Technical Notes

Supplied with counter strike.

Order No.	Finish	l_1	h_1 ± 0.5	w_1 ± 0.5	$\varnothing d_1$	$\varnothing d_2$	$\varnothing d_3$	h_2	h_3	l_2	Weight g
J0420.AC0004	Zinc Plated Steel	193.5	19	43	5.3	4	11	30.5	20.5	112	190
J0420.AC0030	Stainless Steel	193.5	19	43	5.3	4	11	30.5	20.5	112	190

Order No.	l_3	l_4 ± 0.5	l_5	l_6	l_7 ± 0.5	l_8	l_9	l_{10} ± 0.5	w_2 ± 0.5	w_3	l_{11}	Load N max.	Tension N max.
J0420.AC0004	21.5	90	66	31.5	58.5	25.5	15	23.5	30	27	82.5	2000	4000
J0420.AC0030	21.5	90	66	31.5	58.5	25.5	15	23.5	30	27	82.5	2000	4000