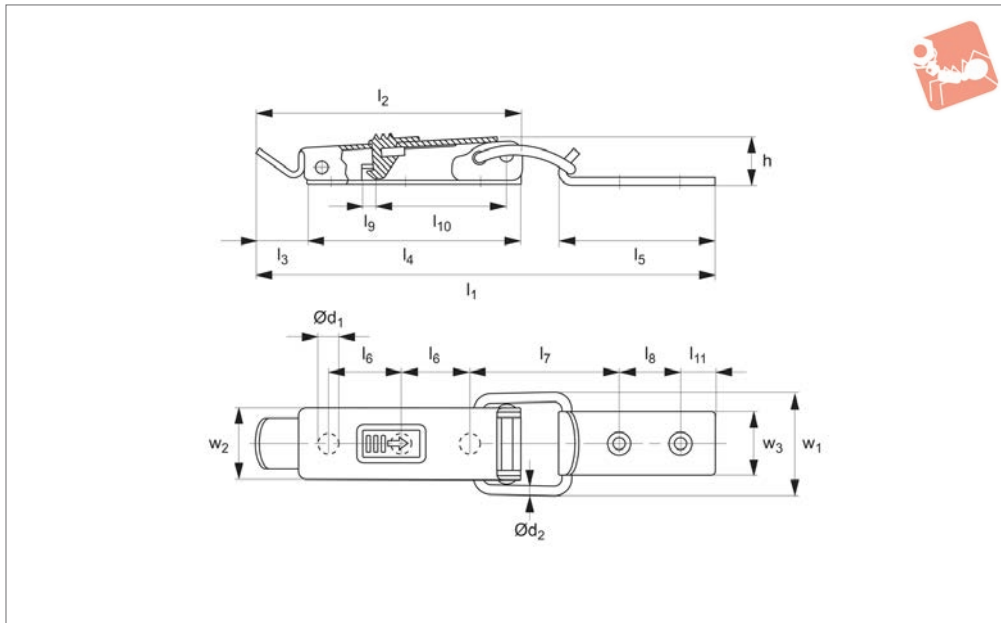


# Toggle Latches

with secondary lock, **stainless steel**

# Draw Latches



**J0422**

DRAW LATCHES

### Material

Stainless steel AISI 304, UNI x5crNi.

### Technical Notes

Supplied with counter strike.

Order No.	Finish	$l_1$	$h$ $\pm 0.5$	$w_1$ $\pm 0.5$	$\varnothing d_1$	$\varnothing d_2$	$l_2$	$l_3$	$l_4$ $\pm 0.5$	$l_5$	Weight g
J0422.AC0030	Stainless Steel	193.5	19	43	5.3	4	112	21.5	90	66	190
Order No.	$l_6$	$l_7$ $\pm 0.5$	$l_8$	$l_9$	$l_{10}$	$w_2$ $\pm 0.5$	$l_{11}$ $l_1$	$w_3$	Load N max.	Tension N max.	
J0422.AC0030	31.5	58.5	25.5	4	55	30	15	27	2000	4000	