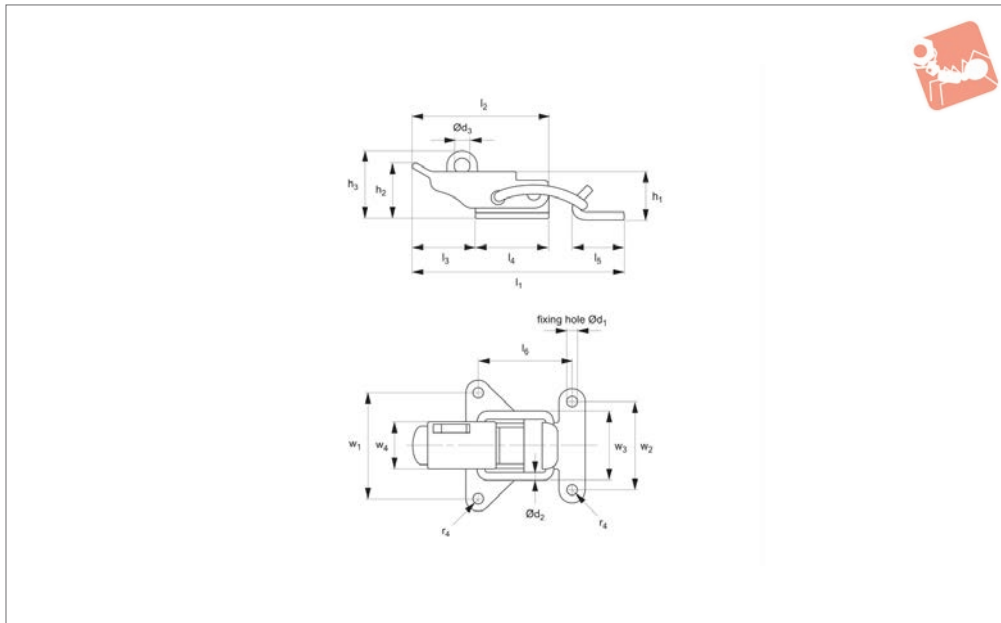
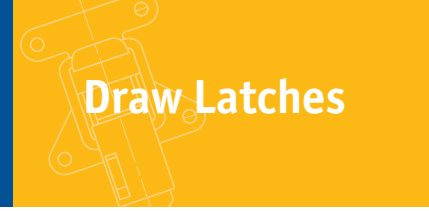




# Toggle Latches with padlock shackle

# Draw Latches



## J0500

DRAW LATCHES

### Material

Steel, Fe P02 + P12, UNI5866, nickel or zinc plated.

### Technical Notes

Supplied with counter strike.

Order No.	Finish	$l_1$	$h_1$	$w_1$	$\varnothing d_1$	$\varnothing d_2$	$\varnothing d_3$	$h_2$ $\pm 0.5$	$h_3$	Weight g
J0500.AC0001	Nickel Plated Steel	52	11	33	3.5	2	4	12	17.5	20
J0500.AC0004	Zinc Plated Steel	52	11	33	3.5	2	4	12	17.5	20

Order No.	$l_2$	$l_3$	$l_4$	$l_5$	$l_6$ $\pm 0.3$	$w_2$	$w_3$	$w_4$	Load N max.	Tension N max.
J0500.AC0001	34	16	18	13	28.5	28	21	15	550	1500
J0500.AC0004	34	16	18	13	28.5	28	21	15	550	1500