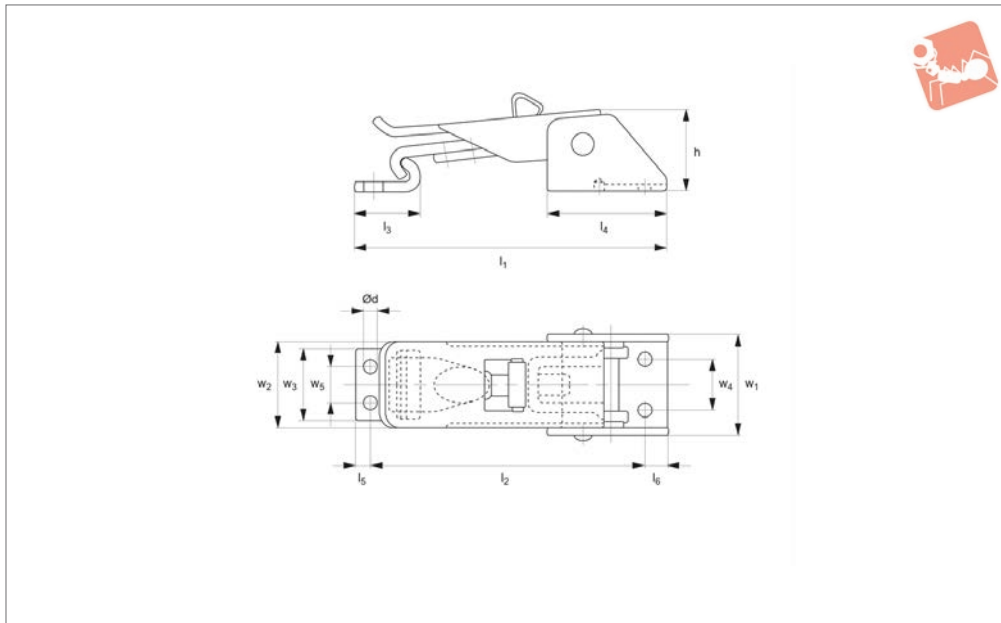




Toggle Latches

adjustable with secondary lock

Draw Latches



J0582

DRAW LATCHES

Material

Steel, Fe P02 + P12, UNI5866, zinc plated.

Draw length adjustable through turns of threaded draw rod, giving 12mm length of adjustment.

Technical Notes

Supplied with counter strike.

Order No.	Finish	l_1	h	w_1	$\varnothing d$	l_2	l_3	l_4	Weight g
J0582.AC0004	Zinc Plated Steel	82-94	22	27	3.6	72 to 84	17.5	33	90
Order No.	l_5	l_6	w_2	w_3	w_4	w_5	Load N max.	Tension N max.	
J0582.AC0004	4	6	24	19	14	10	1000	2000	