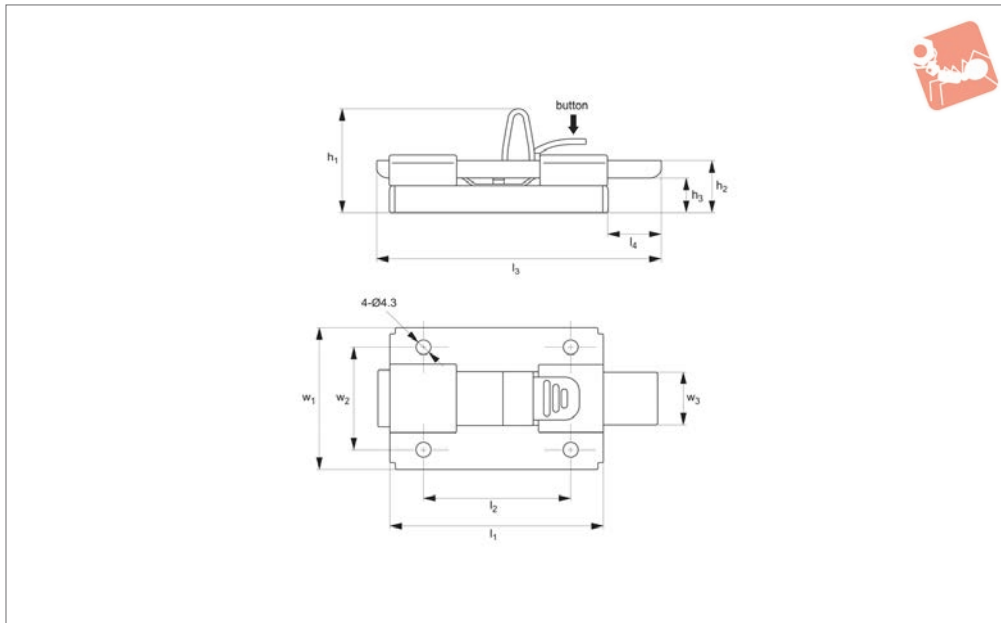




Slide Bar Latch stainless steel

Catches & Latches



J6260

CATCHES & LATCHES

Material

Stainless steel.

Not supplied: fixing screws.

Tips

Push button to adjust/move bolt.

l_3 max. extension of latch bolt stroke=

14,5mm.

Order No.	l_1	l_2	l_3	h_1	h_2	h_3	l_4	w_1	w_2	w_3	Stroke
J6260.AW0010	65	45	85.5	31.3	15.5	10	16.7	44	32.5	18	14.5