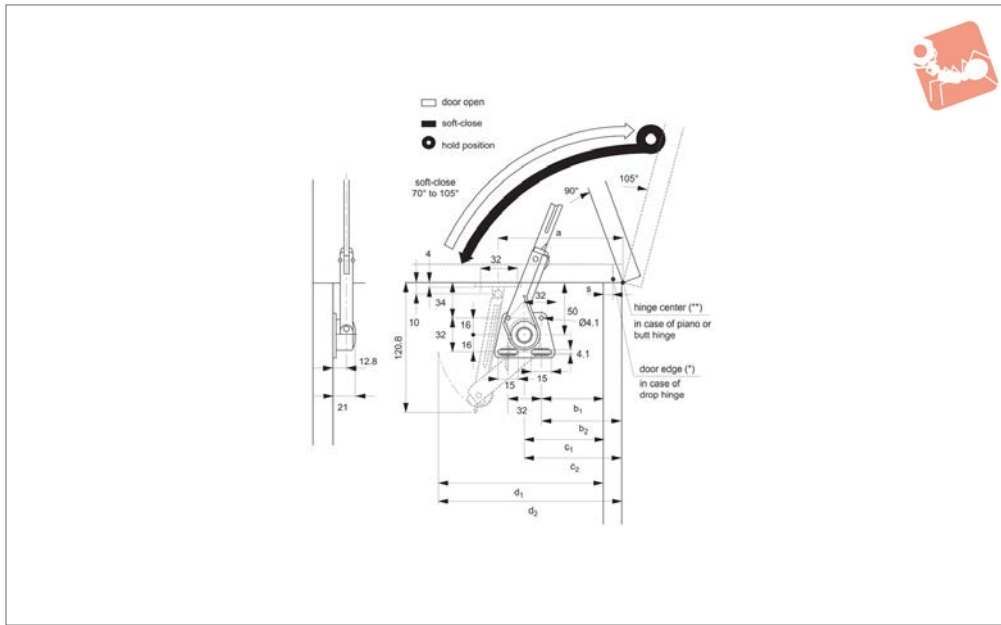




# Soft-Closing Stays - for Top Opening

70° - 105° opening angle

## Soft & Spring Stays



### N0200

SOFT & SPRING STAYS

#### Material

Zinc alloy, steel,  
bright nickel finish.  
Supplied with screws (3,5x15)

#### Technical Notes

For use with lids which are top opening,  
with piano, butt or drop hinges.

Designed to control speed at which a  
suitable lid closes and hence prevent lid  
slamming shut. Opening angle of 70° -  
105°. Temperature range - 0° to +40°C.  
Speed of closure adjustable via screw  
located at end of stay.

**Stay has a sprung elbow section which  
must be released prior to closing lid -  
please take care not to catch fingers**

#### when handling.

#### Important Notes

For use with relatively light weight cabinet  
or furniture lids. Improper application, or  
use on a lid not within recommended size  
and load bearing value, may lead to stay  
being overcome and slamming of lid.

#### 1) Checking Application Suitability:

1) Check Lid Size:

##### One Stay used:

- a) Max 35cm wide  
AND
- b) within acceptable lid width.  
Height combination - see chart.

##### Two Stays used:

- a) Max 120cm wide  
AND
  - b) within acceptable lid width/height  
combination - see chart.
- 2) Secondly, check load bearing value.

#### 2) Check Load Bearing Value (T):

$T$  (Load Bearing Value of stay Kg/cm) = 1/2  
Door Height cm x Door Weight Kg

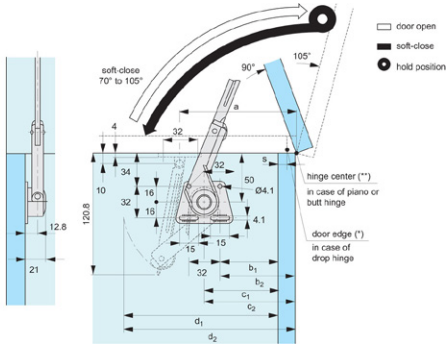
##### If using only one stay-

Acceptable load bearing (T) between min.  
20 to max 70 Kg/cm.

##### If using two stays-

Acceptable load bearing (T) between min.  
40 to max 140 Kg/cm.

Order No.	Type	Acceptable load bearing single kg/cm min.   max.	Acceptable load bearing pair kg/cm min.   max.	Weight g
N0200.AC0010	Left	20 - 70	40 - 140	210
N0200.AC0110	Right	20 - 70	40 - 140	210



Piano/Butt Hinge	Opening Hinge	A	B <sub>1</sub>	C <sub>1</sub>	D <sub>1</sub>
Left/Right	70	125	84	100	184
Left/Right	105	97	56	72	156

Concealed Hinge	Opening Hinge	A	B <sub>2</sub>	C <sub>2</sub>	D <sub>2</sub>
Left/Right	70	126	85-S	101-S	185-S
Left/Right	105	103	62-S	78-S	162-S