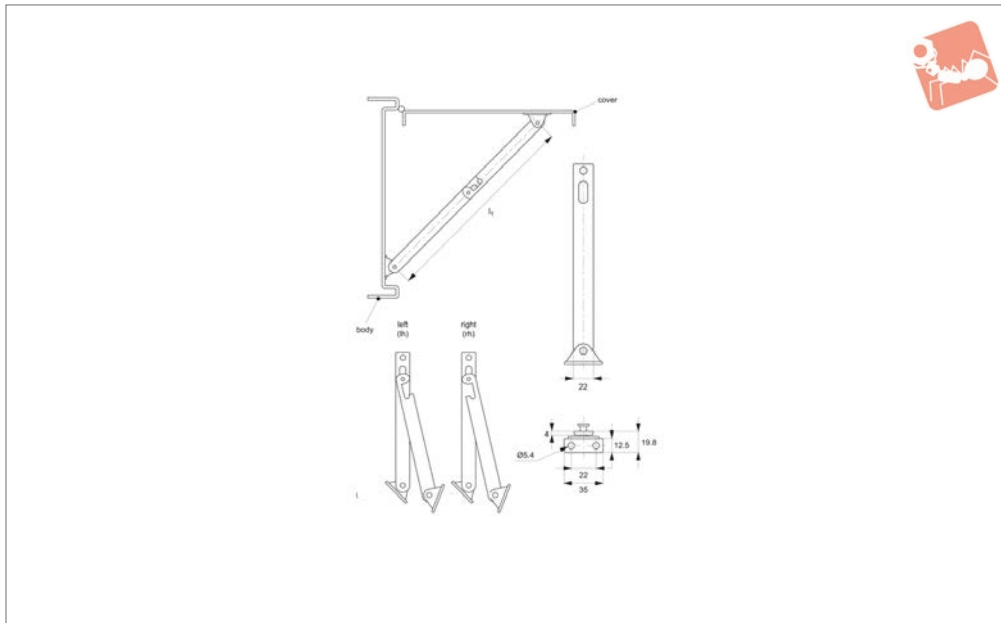




Lid Stays - Heavy Duty stainless steel

Lid & Door Stays



N0956

LID & DOOR STAYS

Material

Stainless steel, AISI 304.

Technical Notes

Right or left handed, please refer to table.
Ideal for screw or weld-on mounting.

Order No.	Hand	l_1
N0956.AC0006	Right	135
N0956.AC0008	Right	202
N0956.AC0010	Right	292
N0956.AC0106	Left	135
N0956.AC0108	Left	202
N0956.AC0110	Left	292